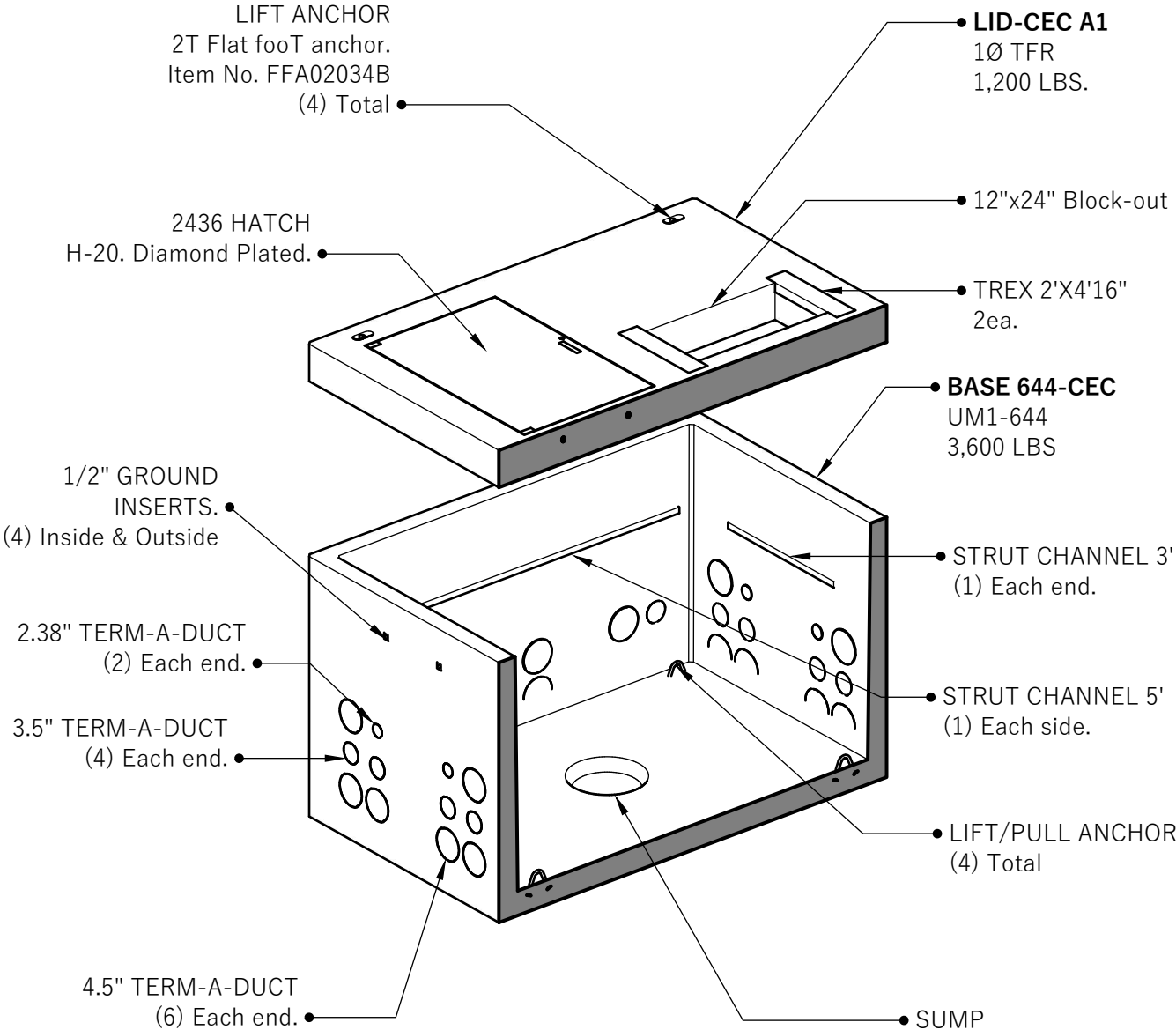


# UM1-644L-1

## SECTION AA



Customer:
Project:
Product: UM1-644L-1

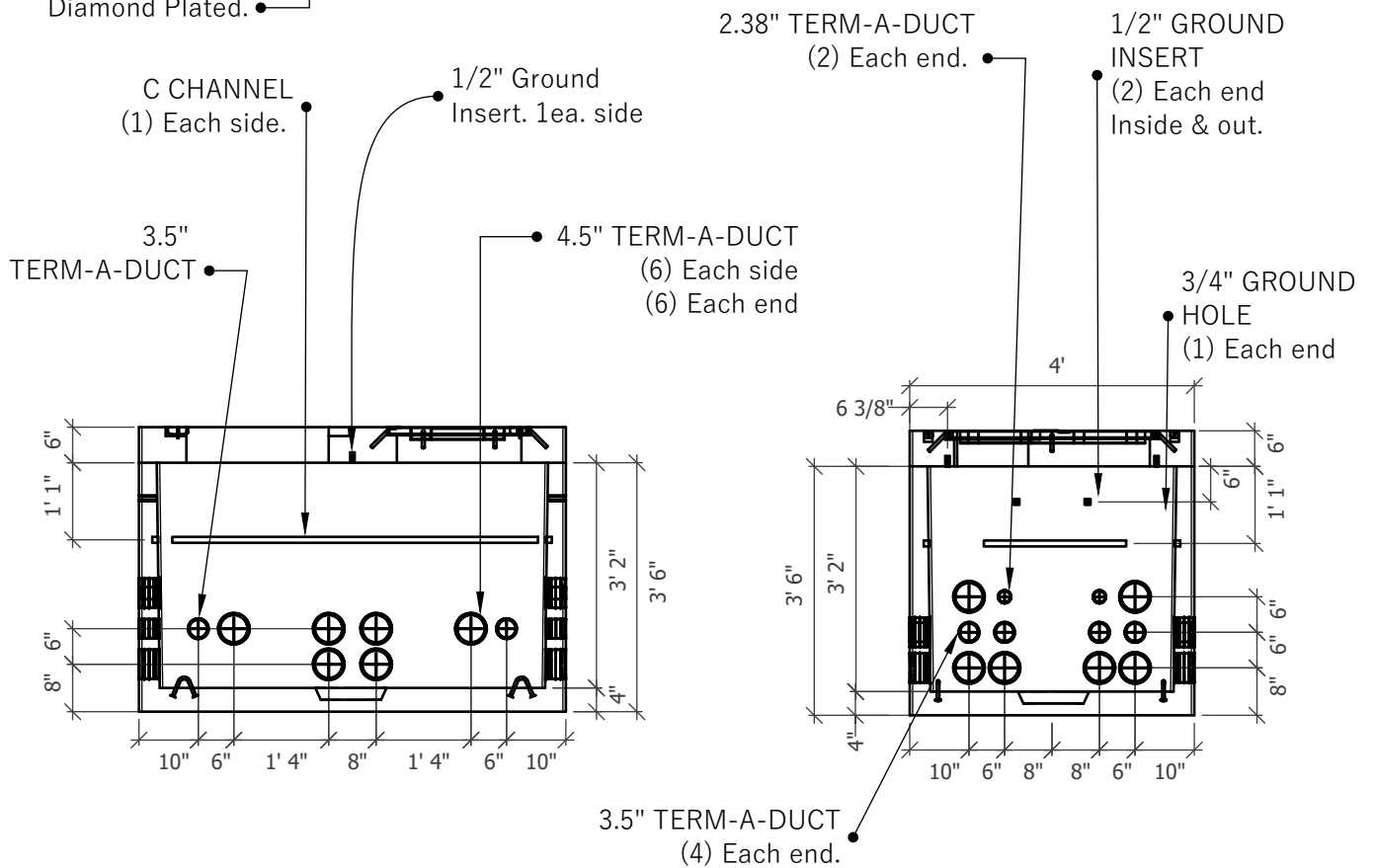
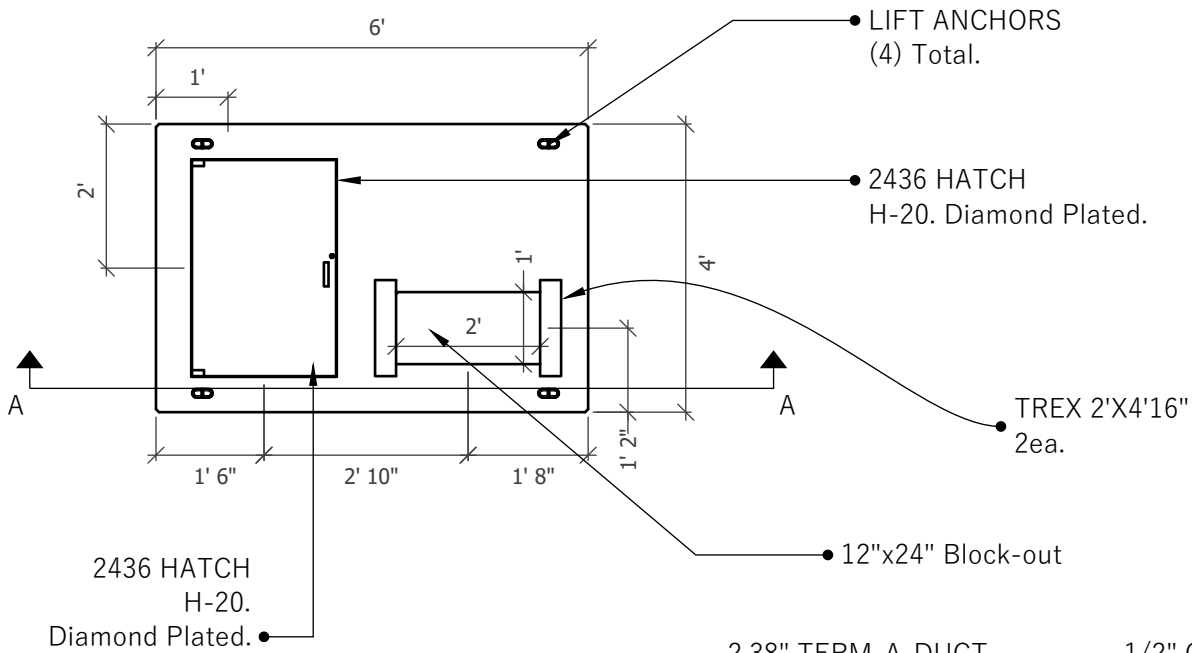


**UM1-644L-1**

541-923-3272  
 1111 NE 11TH ST.  
 REDMOND, OR  
 97756

# UM1-644L-1

## PLAN VIEW



## SIDE VIEW

## END VIEW



**UM1-644L-1**

541-923-3272  
1111 NE 11TH ST.  
REDMOND, OR  
97756