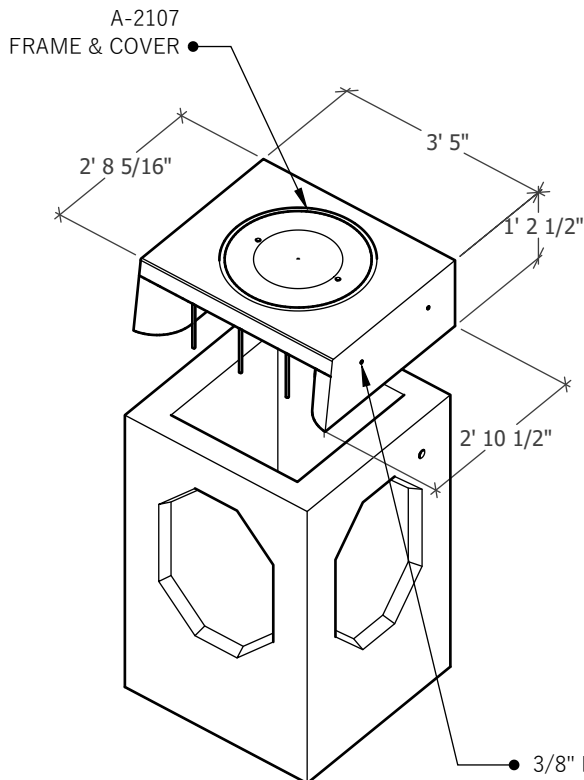
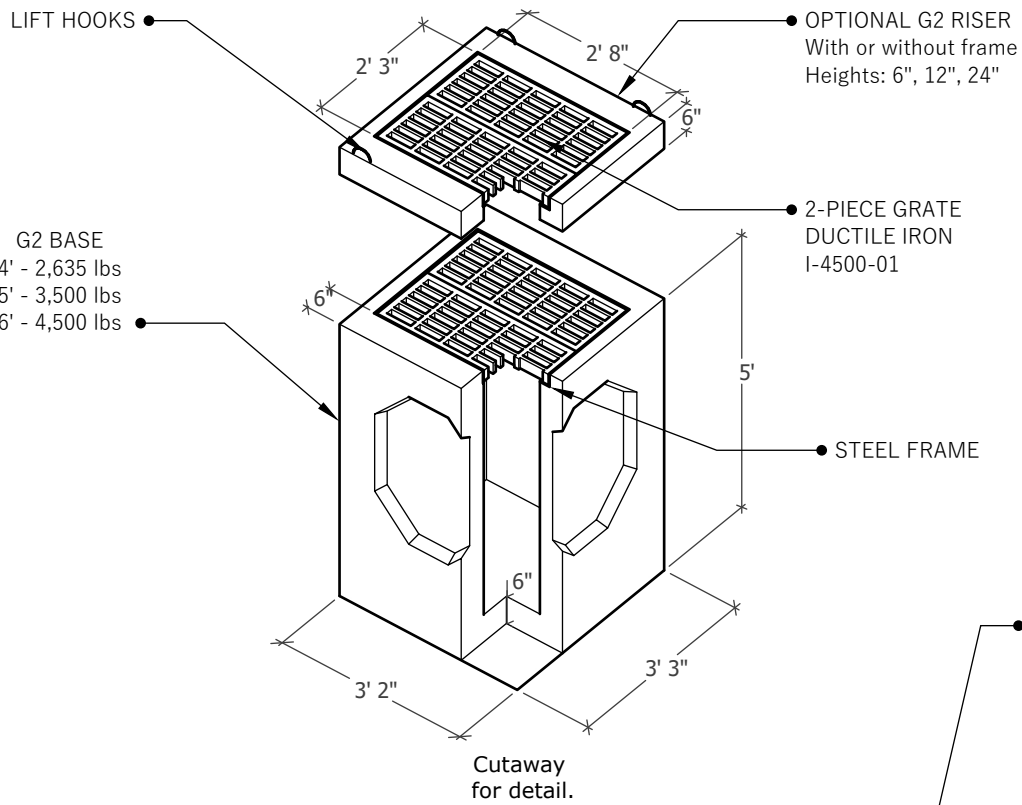
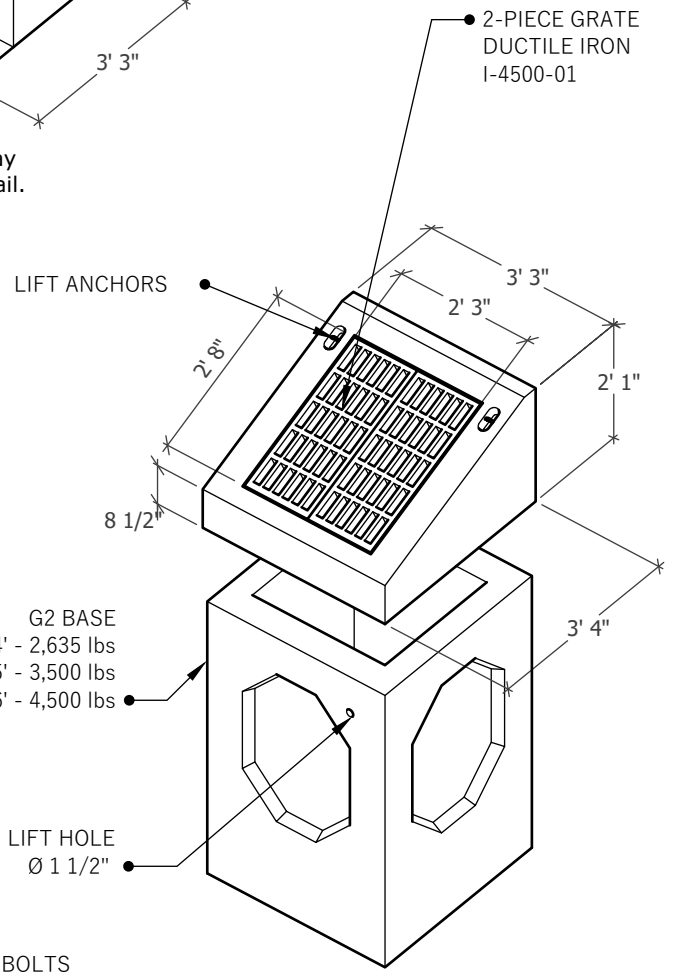


# G2 CATCH BASIN

## G2 CATCH BASIN



**CG-3 CURB INLET TOP**



**DITCH INLET TOP**



**G2 CATCH  
BASIN**

541-923-3272  
 1111 NE 11TH ST.  
 REDMOND, OR  
 97756