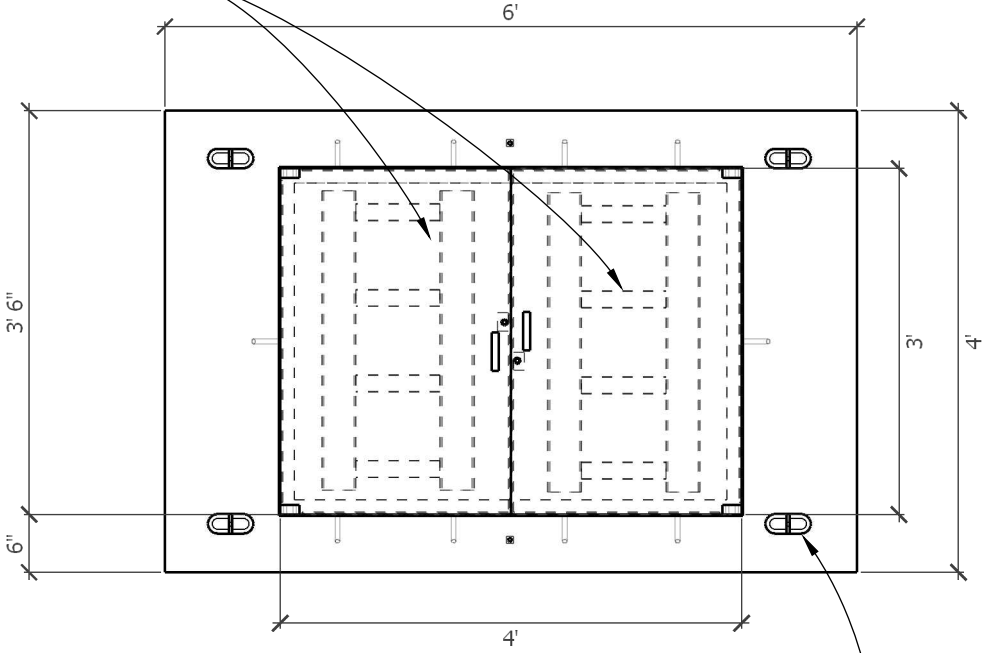


**UM1-644L-2**

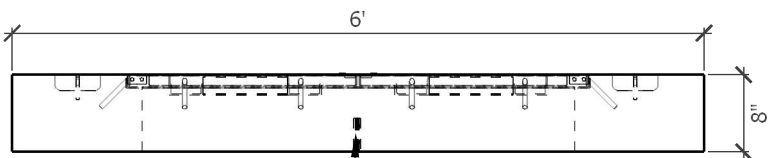
2X3 ACCESS HATCH

**PLAN VIEW**



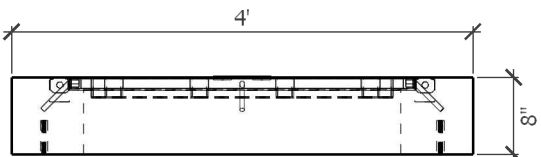
LIFT ANCHOR  
4 EA.

**SIDE VIEW**



1/2" GROUND INSERT  
2EA. In lid.

**END VIEW**



Customer:
Project:
Product: UM1-644L-2



**UM1-644L-2**

541-923-3272  
1111 NE 11TH ST.  
REDMOND, OR  
97756