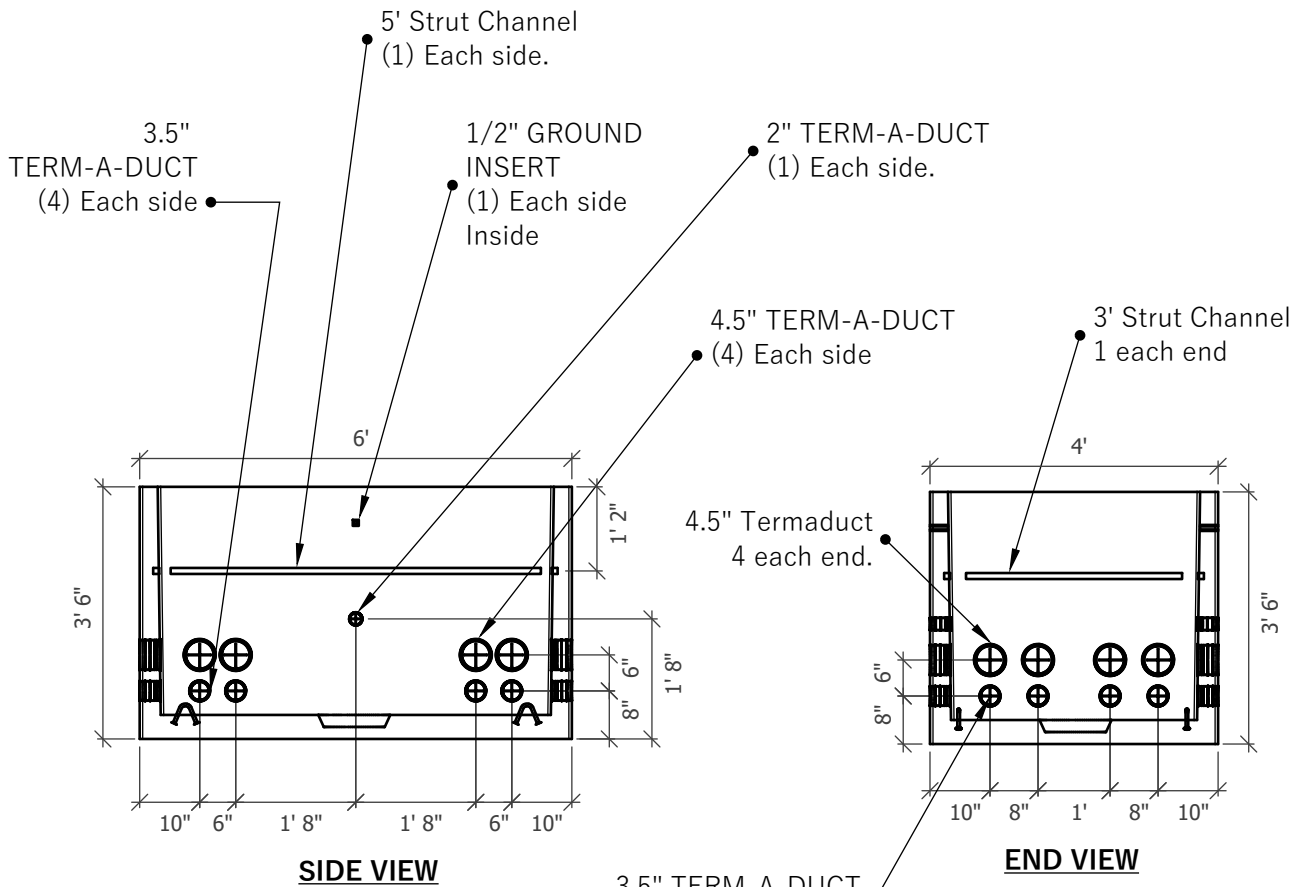
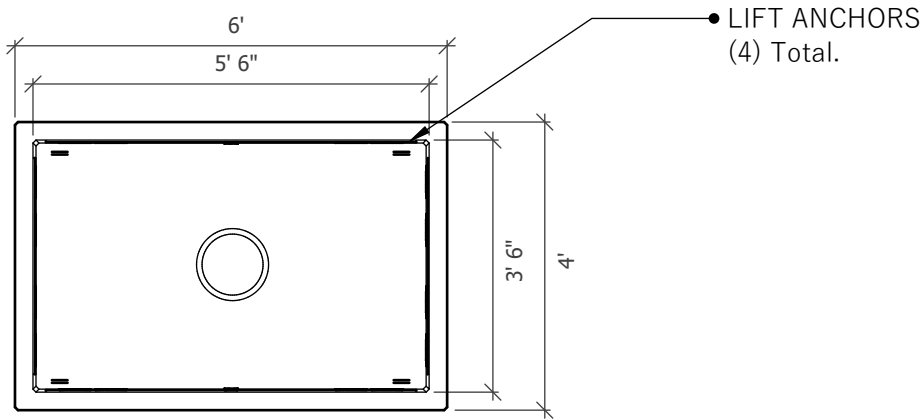


# UM1-644G

## PLAN VIEW



Customer:
Project:
Product: UM1-644G



## UM1-644G

541-923-3272  
1111 NE 11TH ST.  
REDMOND, OR  
97756