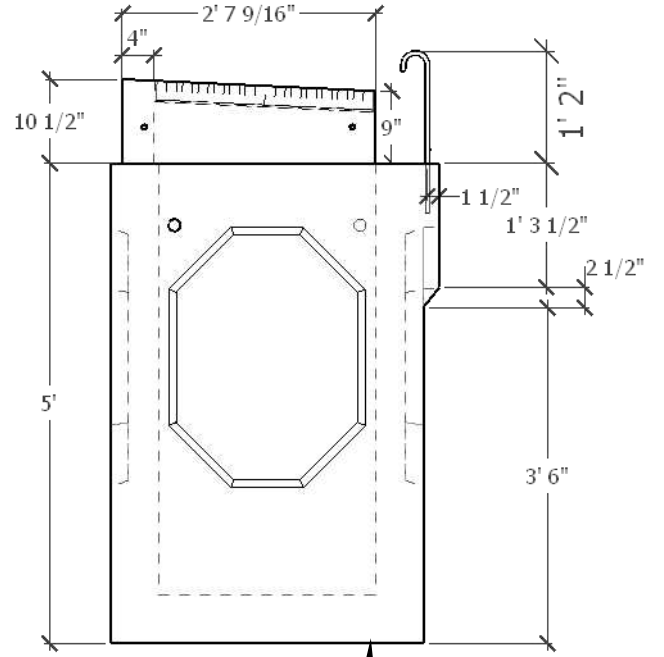
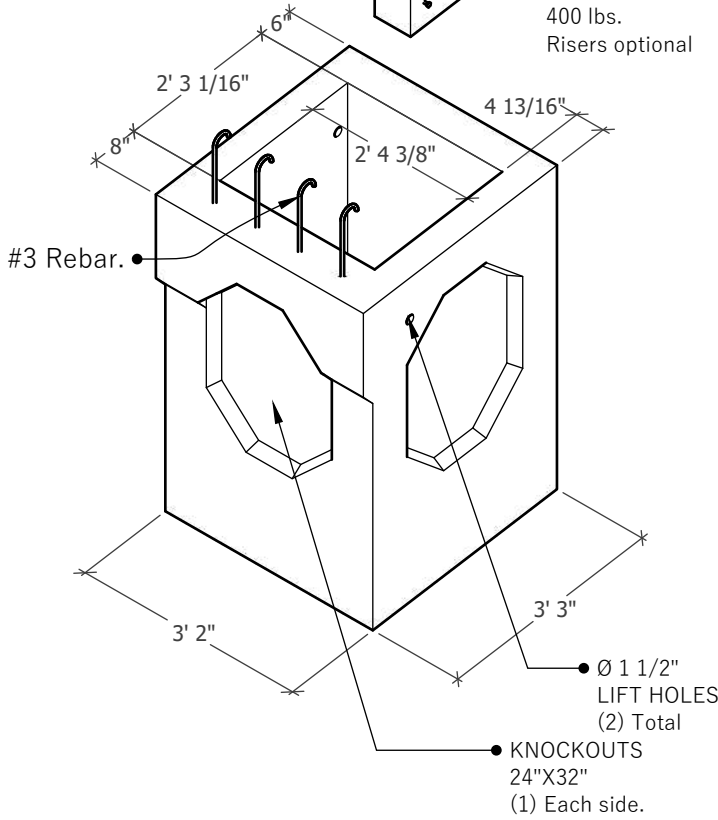
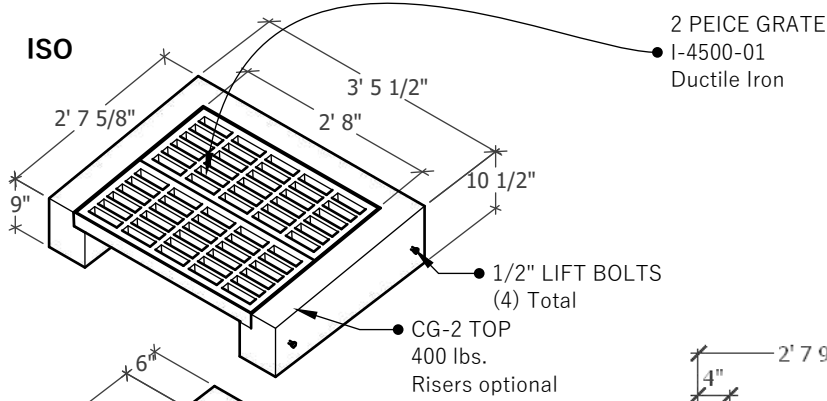
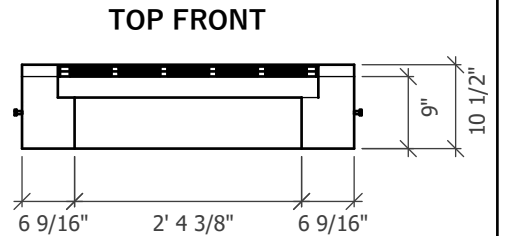
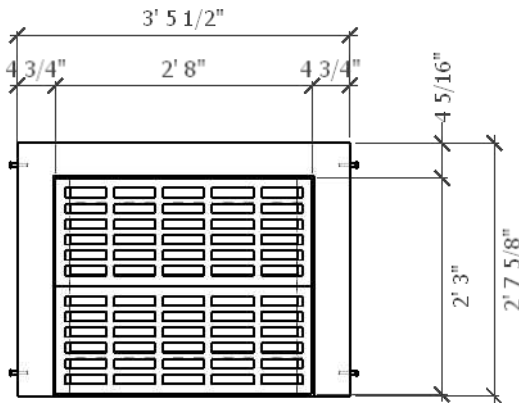


C-G2 CATCH BASIN



C-G2 BASE
Optional heights
4' - 2,365 lbs
5' - 3,500 lbs
6' - 4,500 lbs



Customer:

Project:

Product:

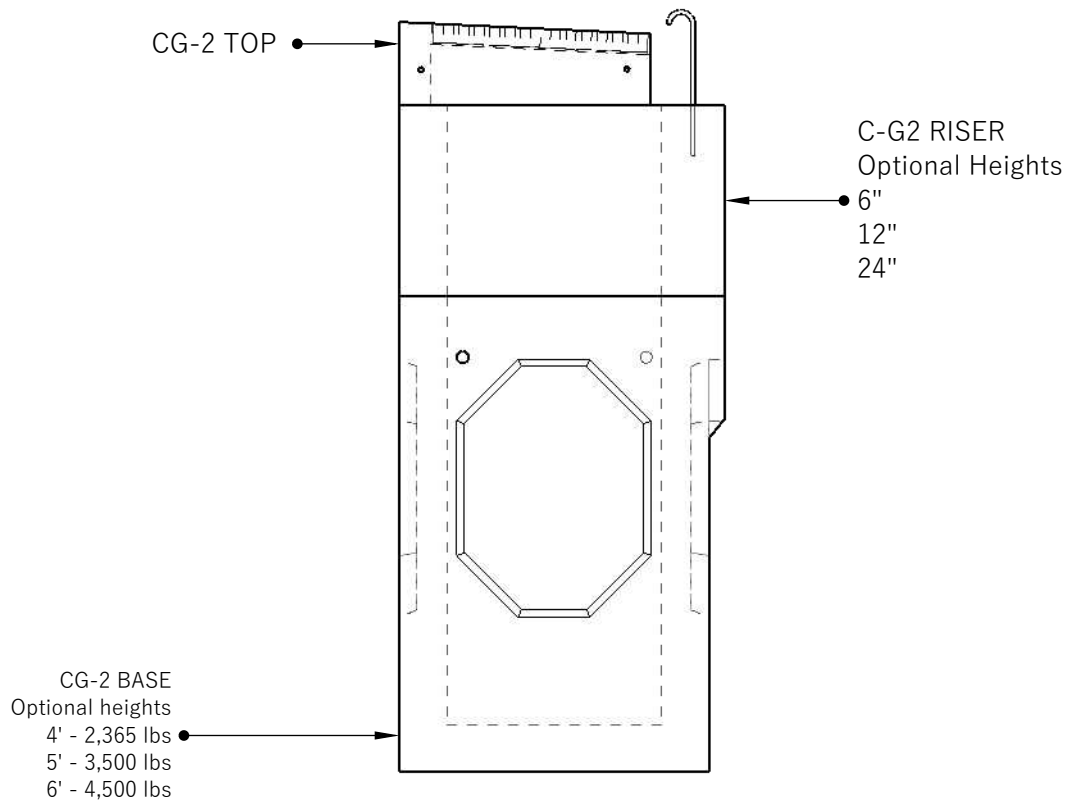


C-G2 CATCH BASIN

541-923-3272
1111 NE 11TH ST.
REDMOND, OR
97756

C-G2 CATCH BASIN

RISER OPTION



Customer:

Project:

Product:



C-G2 CATCH BASIN

541-923-3272
1111 NE 11TH ST.
REDMOND, OR
97756