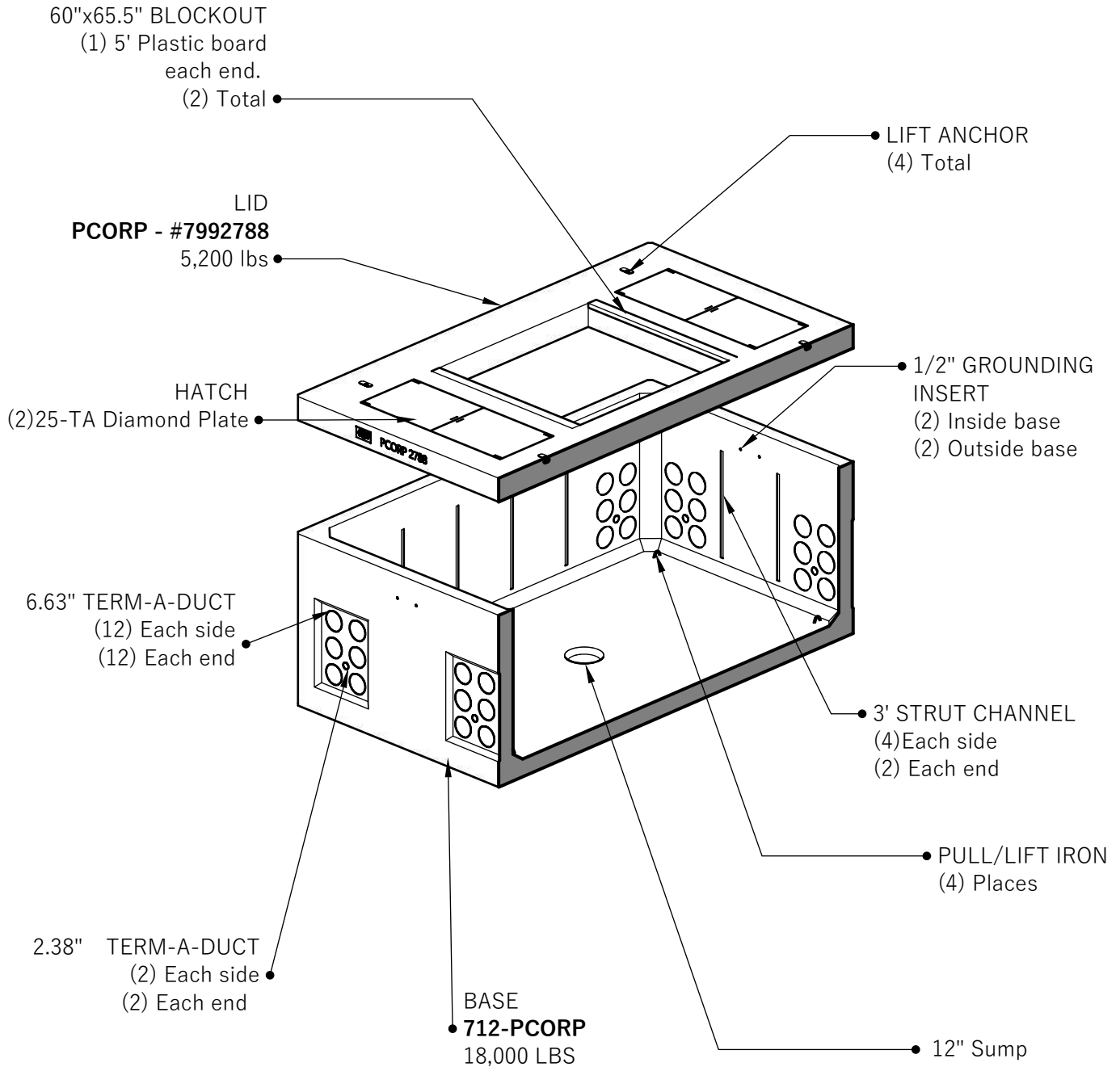


# 712-PCORP-SWITCH SI #7992788

**7992788, PADVAULT, SWGEAR, TYPE 9&11, 15kV, DF**

## SECTION AA



Customer:

Project:

Product: 712-PCORP-SWITCH  
SI #7992788

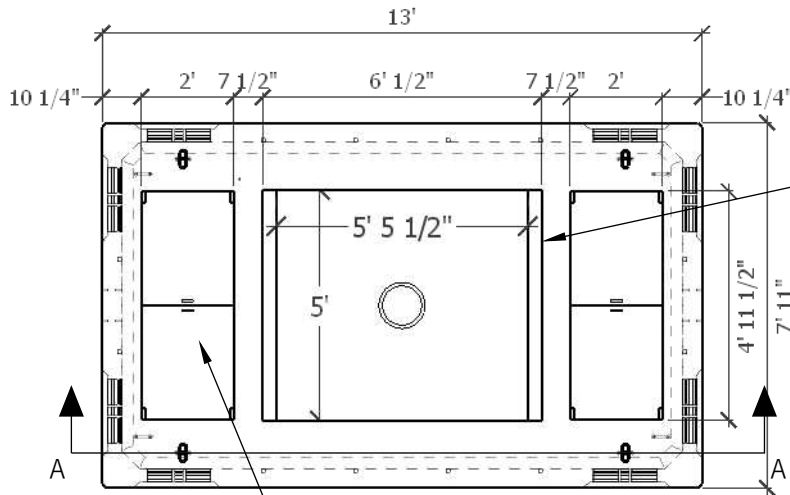


712-PCORP-SWITCH  
SI #7992788

541-923-3272  
1111 NE 11TH ST.  
REDMOND, OR  
97756

# 712-PCORP-SWITCH SI #7992788

## TOP



60"x65.5" BLOCKOUT  
(1) 5' Plastic board  
each end.  
(2) Total

HATCH  
(2)25-TA Diamond Plate

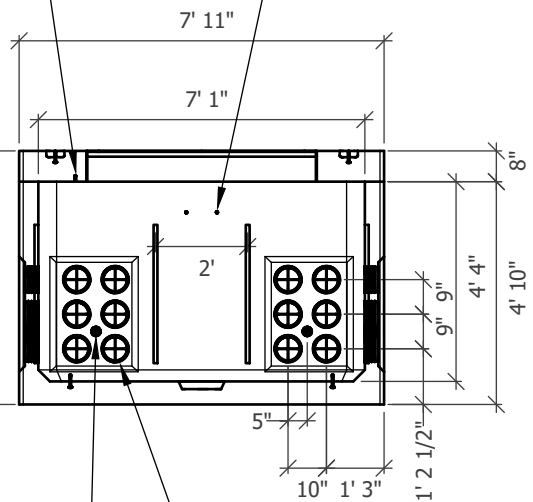
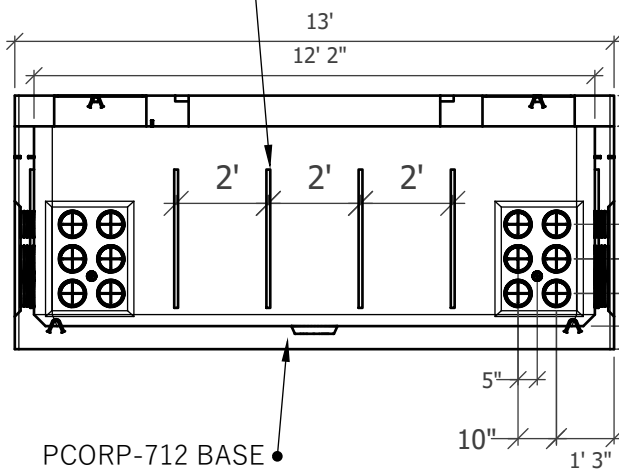
## SIDE

## END

3' STRUT CHANNEL  
(4)Each side  
(2) Each end

GROUNDING INSERT  
(1) IN TOP

1/2" GROUNDING  
INSERT  
(2) Inside base  
(2) Outside base



2.38" TERM-A-DUCT  
(2) Each side  
(2) Each end

6.63" TERM-A-DUCT  
(12) Each side  
(12) Each end



712-PCORP-SWITCH  
SI #7992788

541-923-3272  
1111 NE 11TH ST.  
REDMOND, OR  
97756