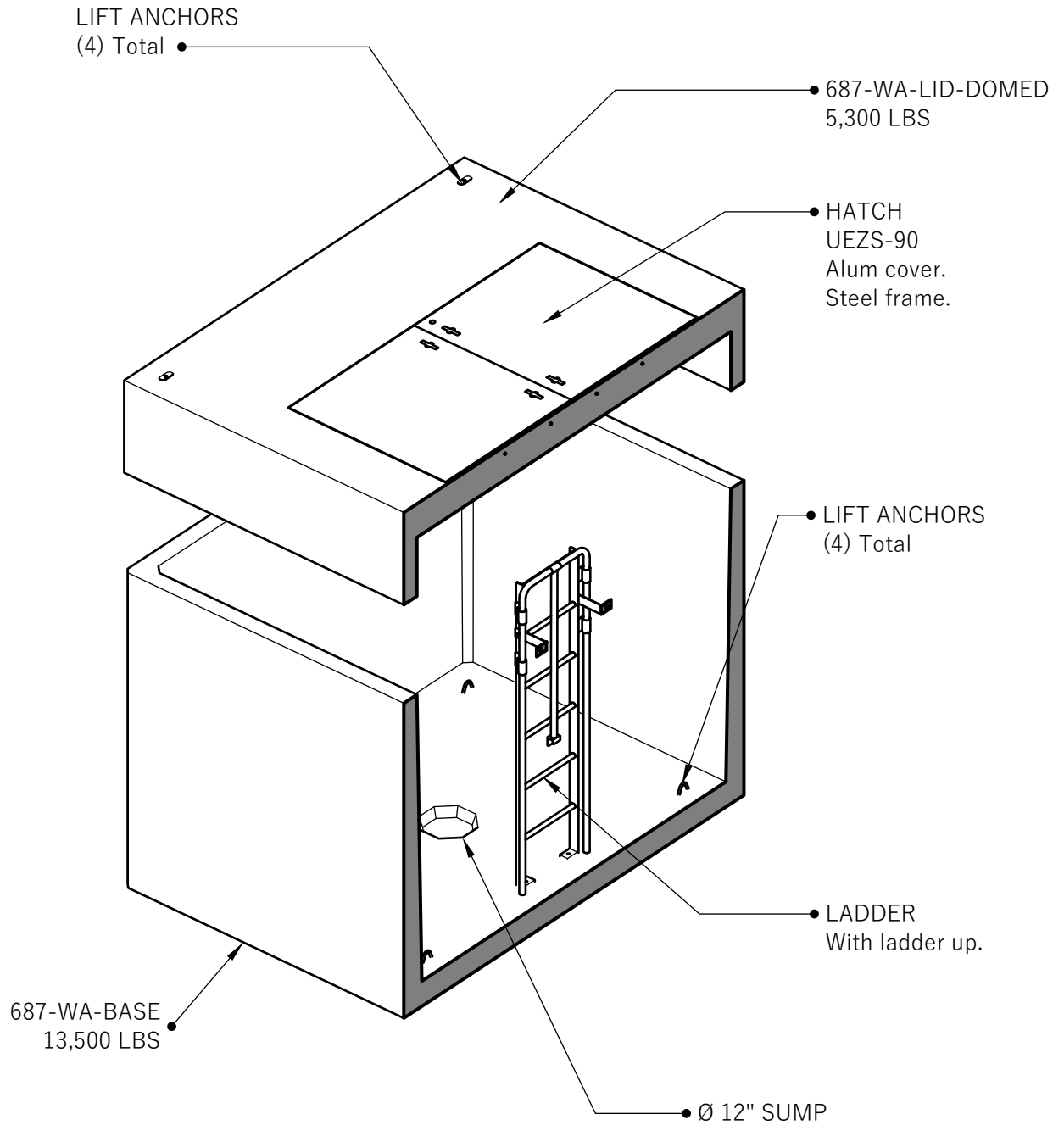


687-WA-3X6 H-20 DOMED

SECTION AA



Notes:

- * Strut channel optional.
- * Duct terminators optional.
- * Hole coring available.
- * Knockout optional

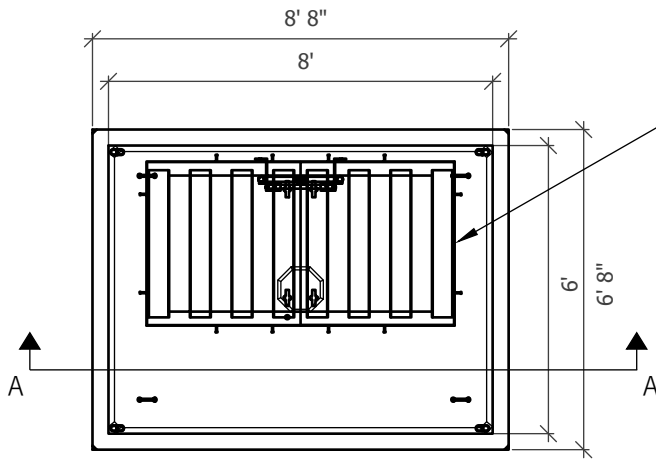


**687-WA-3X6 H-20
DOMED**

541-923-3272
1111 NE 11TH ST.
REDMOND, OR
97756

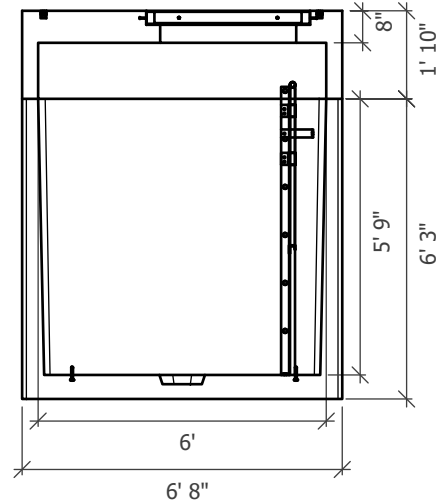
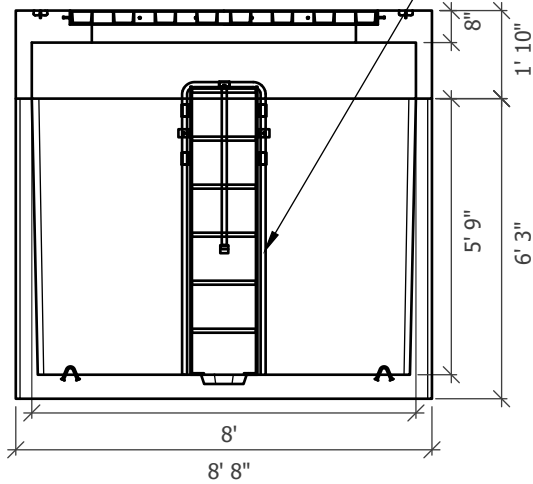
**687-WA-3X6 H-20
DOMED**

PLAN VIEW



HATCH
UEZS-90
Alum cover.
Steel frame.

LADDER
With ladder up.



SIDE VIEW

END VIEW



**687-WA-3X6 H-20
DOMED**

541-923-3272
1111 NE 11TH ST.
REDMOND, OR
97756