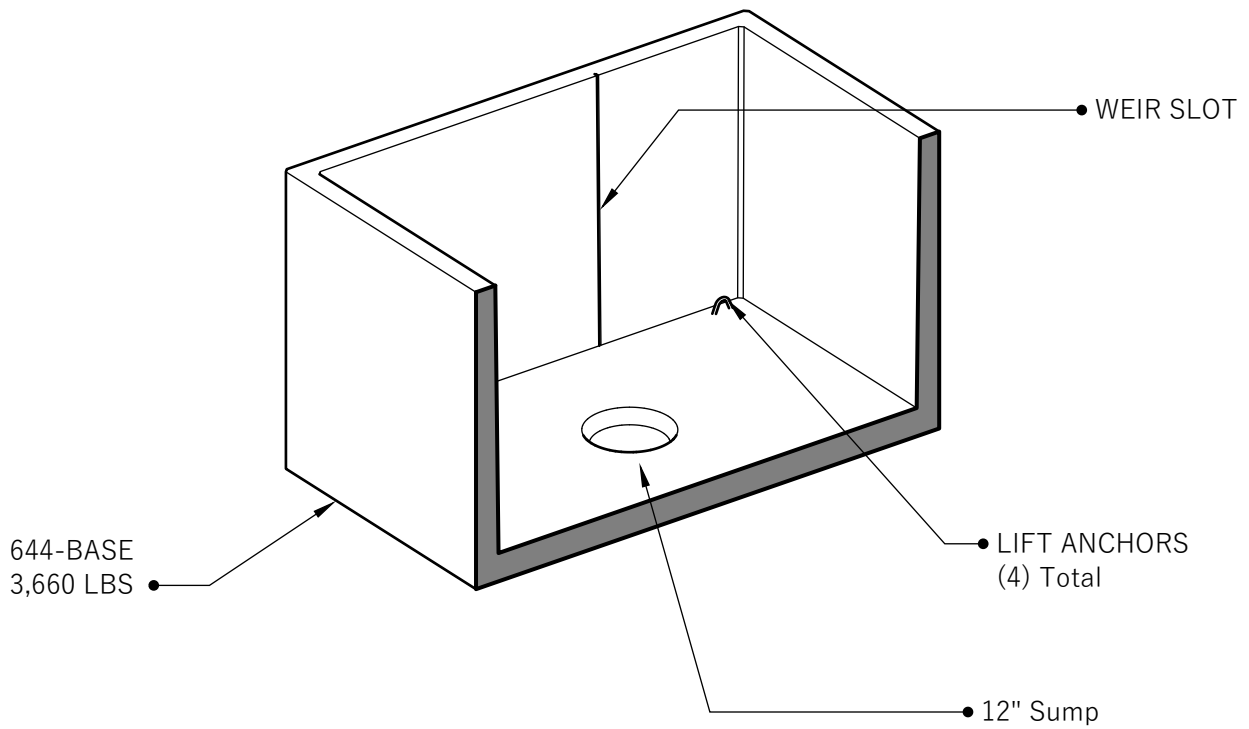


# 644 IRR

## SECTION AA

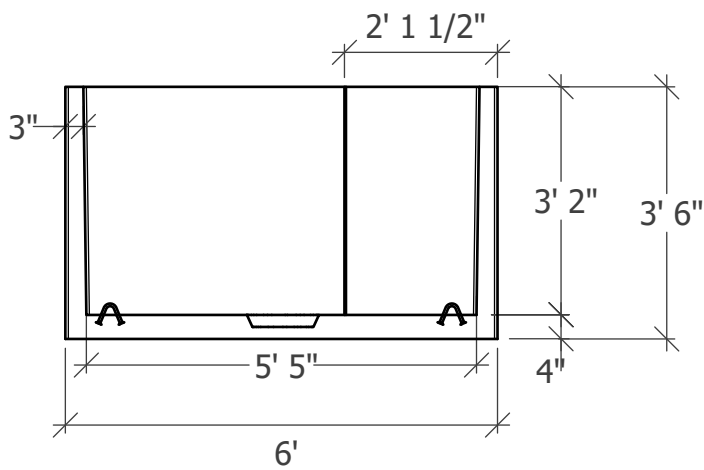
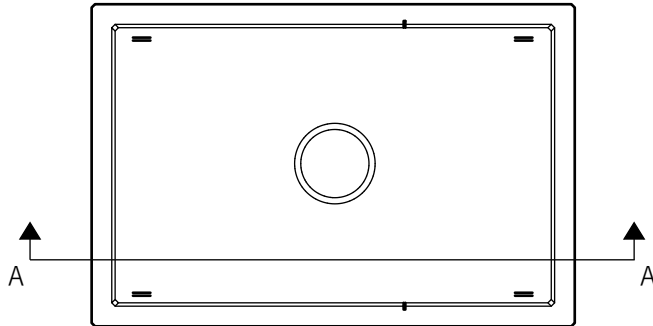


**644 IRR**

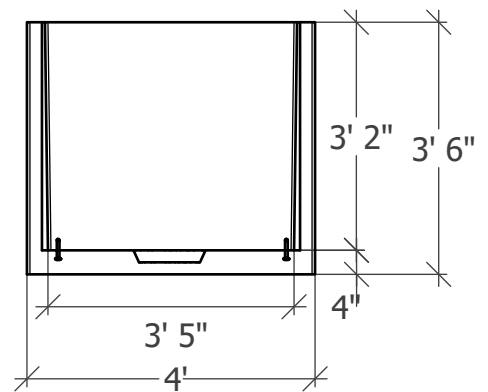
541-923-3272  
1111 NE 11TH ST.  
REDMOND, OR  
97756

# 644 IRR

PLAN VIEW



SIDE VIEW



END VIEW

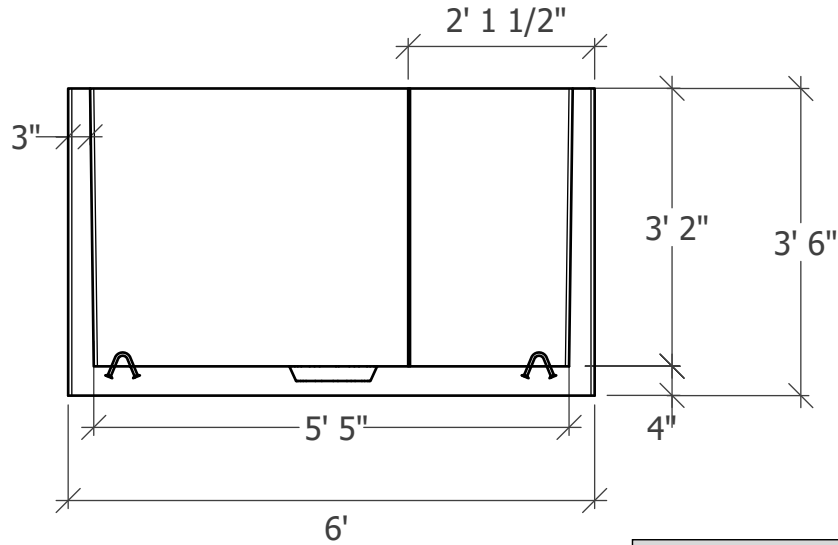


**644 IRR**

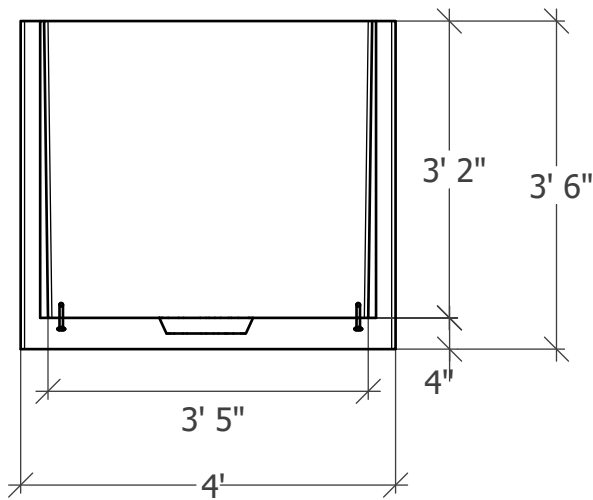
541-923-3272  
1111 NE 11TH ST.  
REDMOND, OR  
97756

**END VIEW**

**644 IRR**



**SIDE VIEW**



**QUALITY CONTROL CHECKLIST**

INSPECTOR NAME	DATE
PRE-POUR	
ITEM	INITIALS
Form Condition	
Form Cleanliness	
Design Width	
Design Length	
Design Height	
Form Release	
Blockouts	
Reinforcing Steel	
Termaduct Placement	
Lift Anchor Placement	
Top Finish	
Ground Insert Placement	
Concrete Sample Poured	
POST-POUR	
Mark Name/ Number	
Surface Texture	
Cracks or Spalls	
Exposed Reinforcement	
Lift Devices	
Blockouts	
Strut Channel	
Termaducts	
Ground Inserts	

Notes:

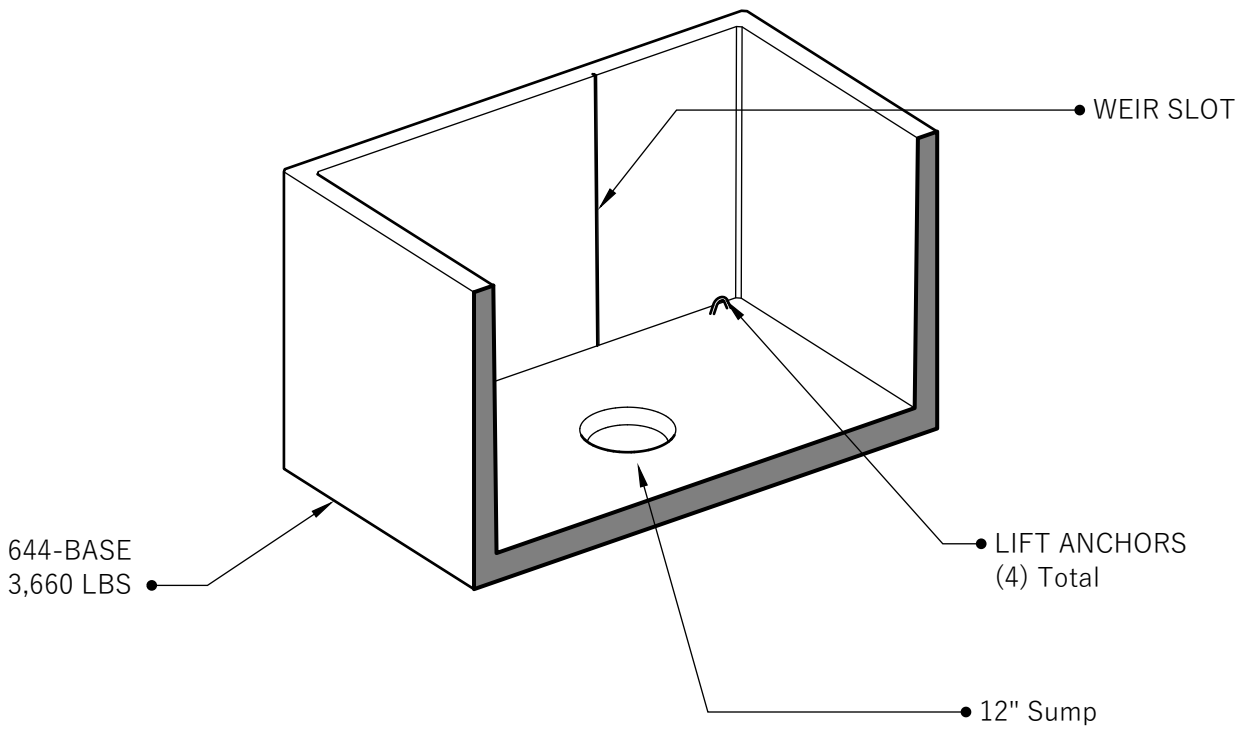


**644 IRR**

541-923-3272  
1111 NE 11TH ST.  
REDMOND, OR  
97756

# 644 IRR

## SECTION AA



Customer:

Project:

Product:



### 644 IRR

541-923-3272  
1111 NE 11TH ST.  
REDMOND, OR  
97756