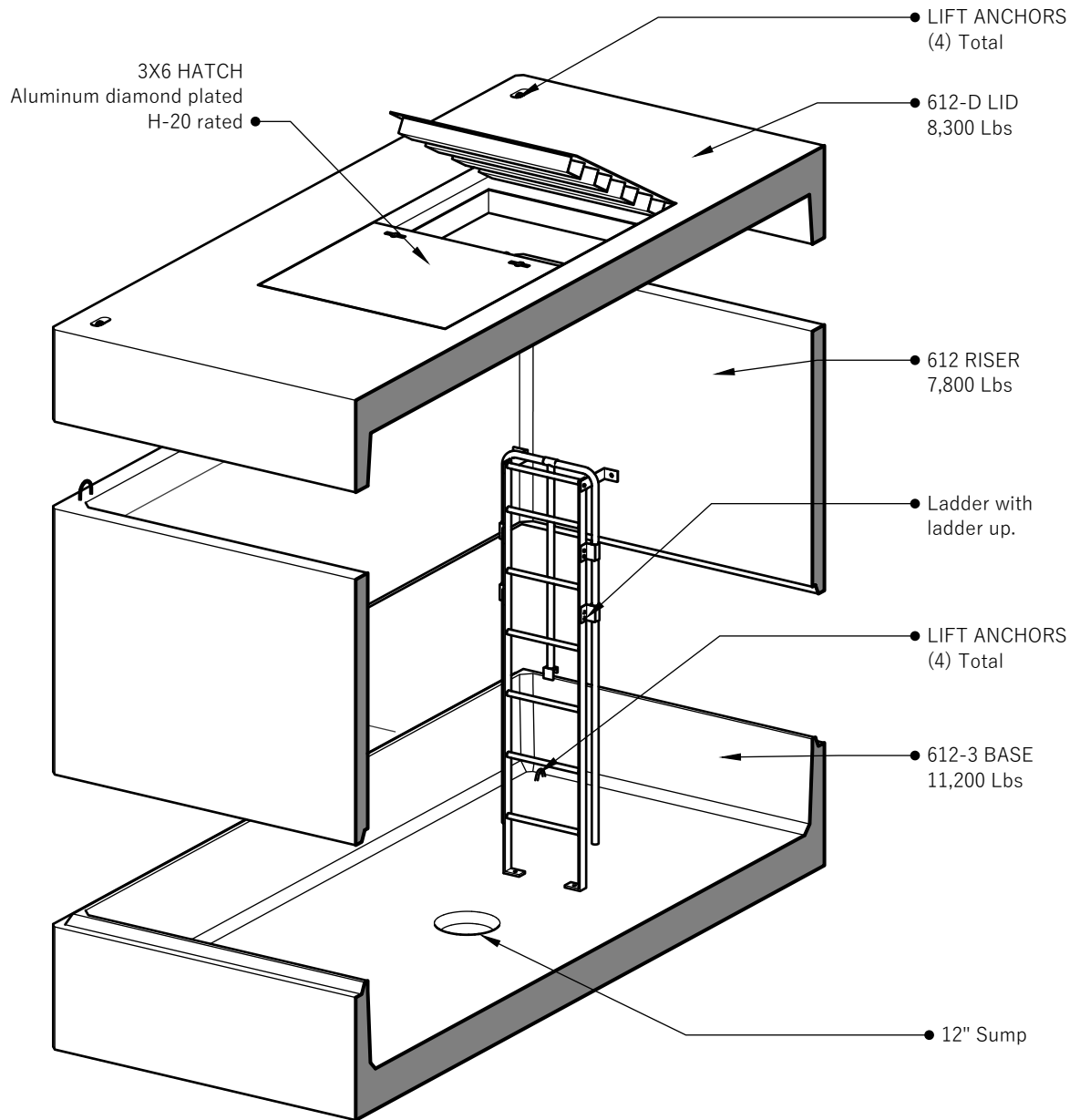


612-3-3x6

SECTION AA



Customer:
Project:
Product: 612-3-3x6

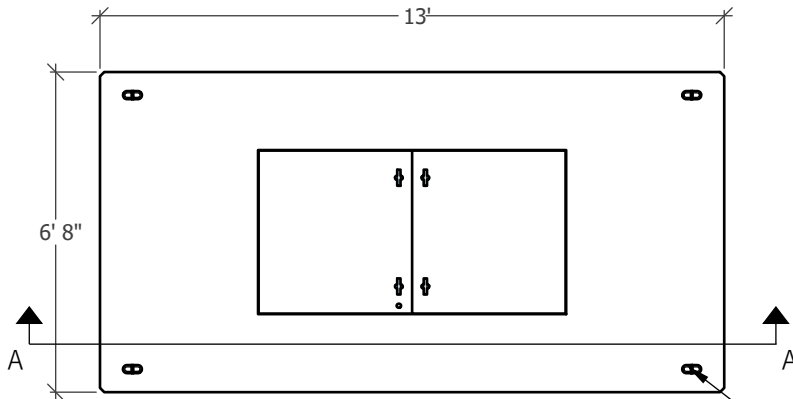


612-3-3x6

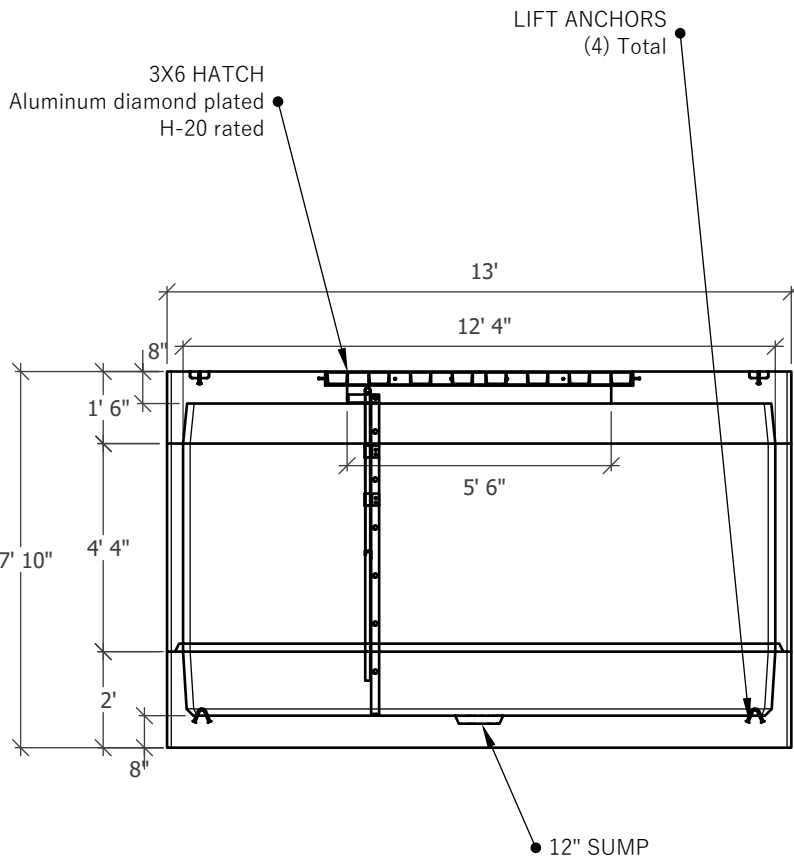
541-923-3272
1111 NE 11TH ST.
REDMOND, OR
97756

612-3-3x6

PLAN VIEW

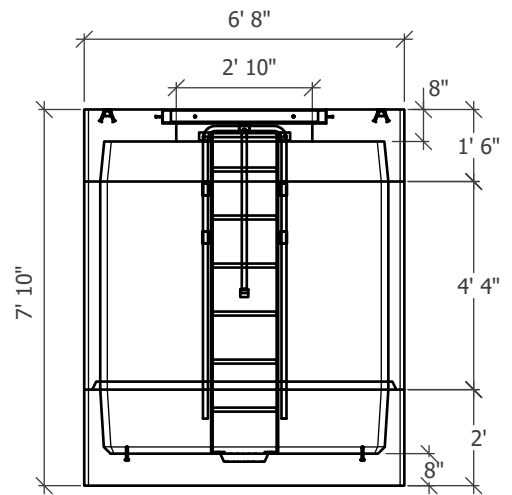


LIFT ANCHORS
(4) Total



SIDE VIEW

END VIEW



Customer:

Project:

Product: 612-3-3x6



612-3-3x6

541-923-3272
1111 NE 11TH ST.
REDMOND, OR
97756