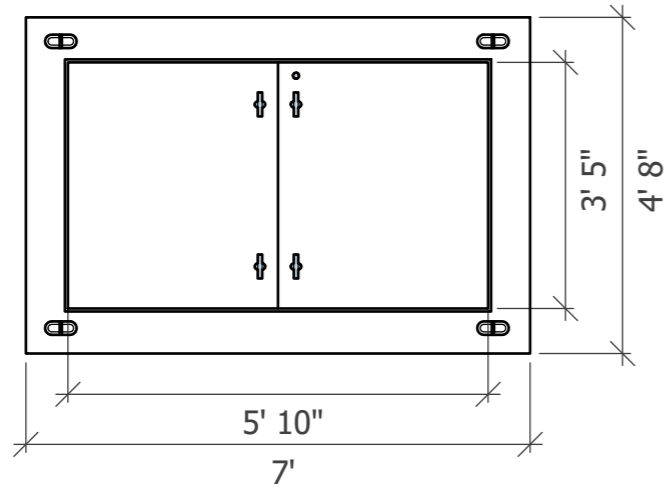
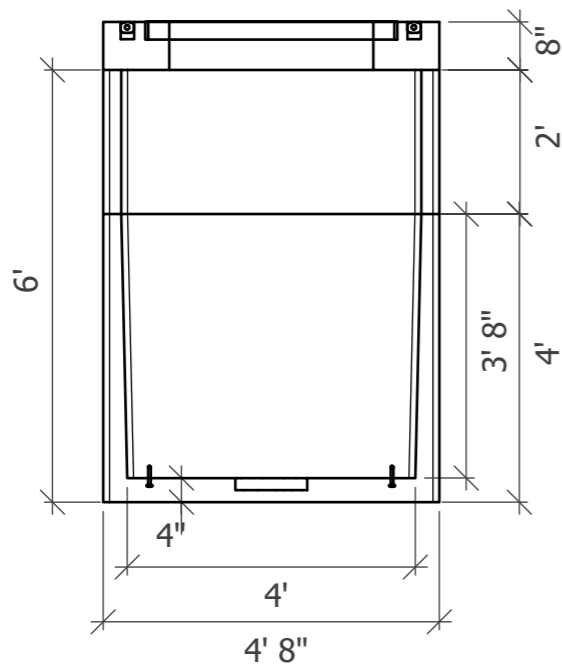


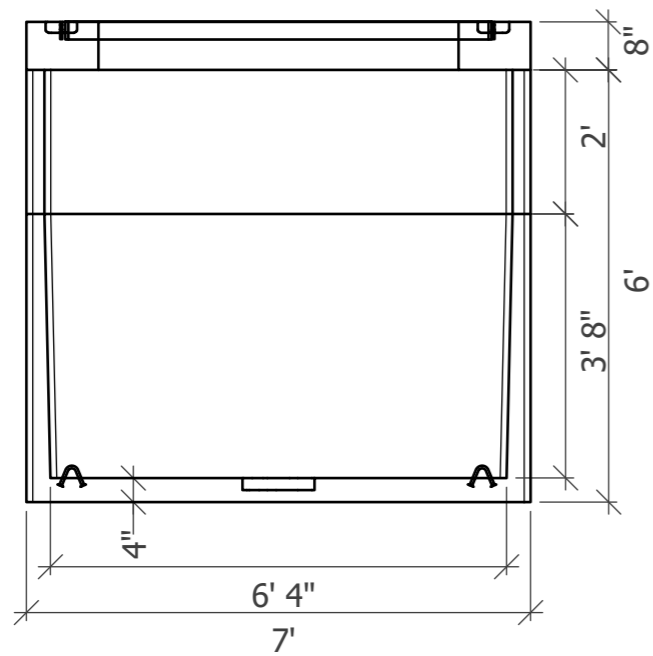
TOP



FRONT

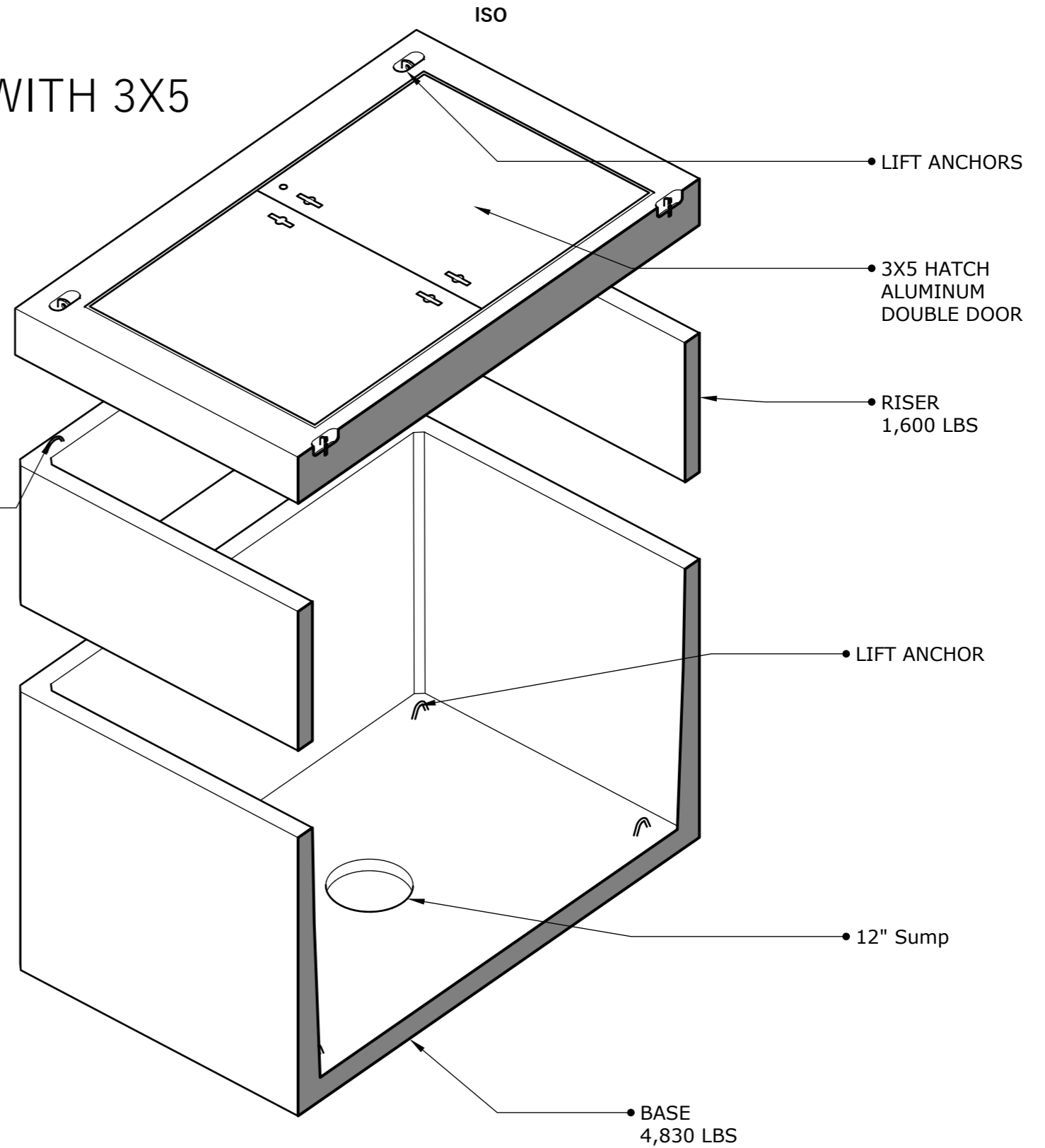


SIDE



577 LA WITH 3X5

LIFT ANCHOR
(4) Total
To be removed
by GC.



1111 NE 11th St.
Redmond OR, 97756
541-923-3272

Customer:
Project:
Product: