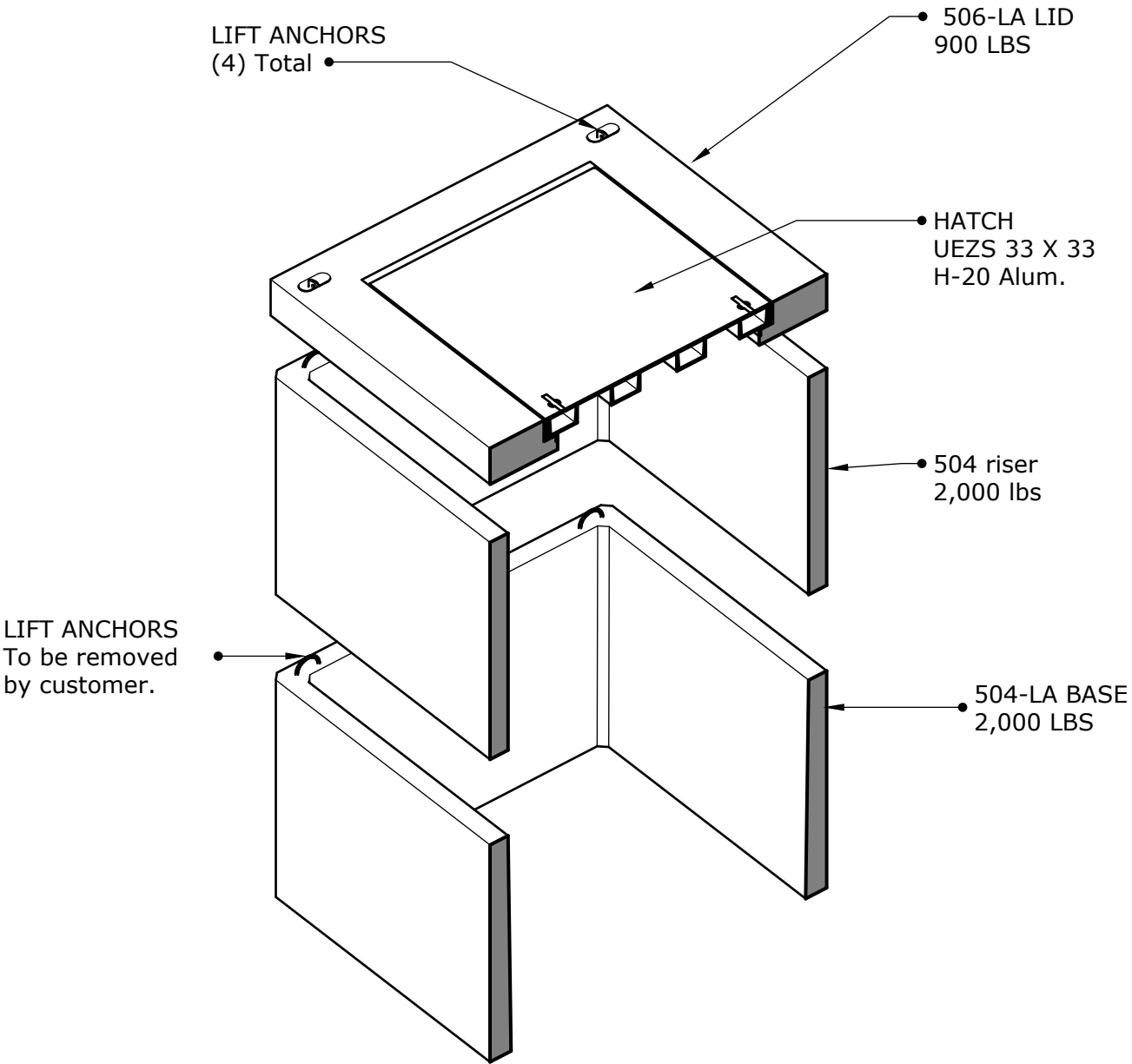


# 506 Open Bottom

## SECTION AA



Customer:
Project:
Product: 506 Open Bottom



# 506 Open Bottom

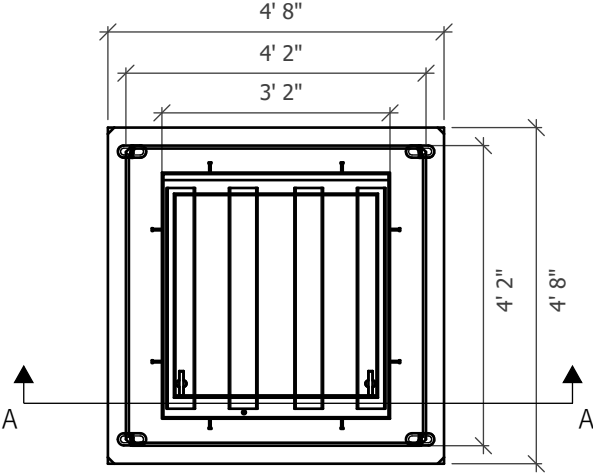
PAGE NUMBER

1

541-923-3272  
 1111 NE 11TH ST.  
 REDMOND, OR  
 97756

# 506 Open Bottom

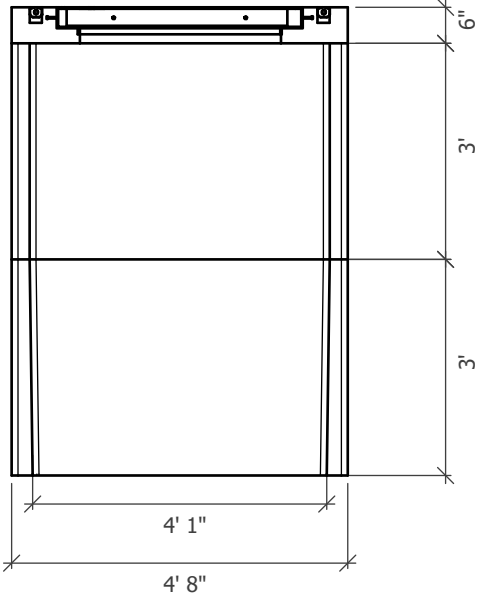
**PLAN VIEW**



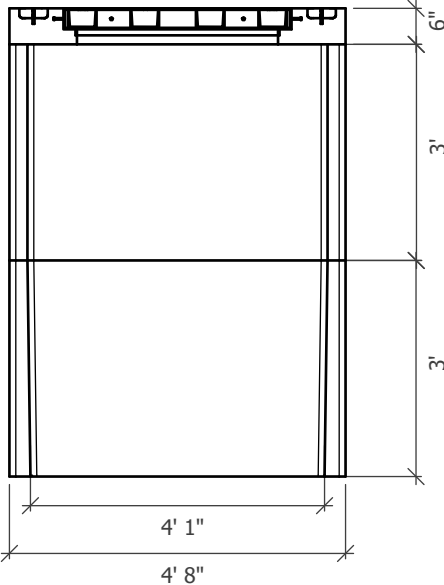
**Notes:**

- \* Strut channel optional.
- \* Duct terminators optional.
- \* Hole coring available.
- \* Knockout optional

**SIDE VIEW**



**END VIEW**



Customer:
Project:
Product: 506 Open Bottom



## 506 Open Bottom

541-923-3272  
 1111 NE 11TH ST.  
 REDMOND, OR  
 97756