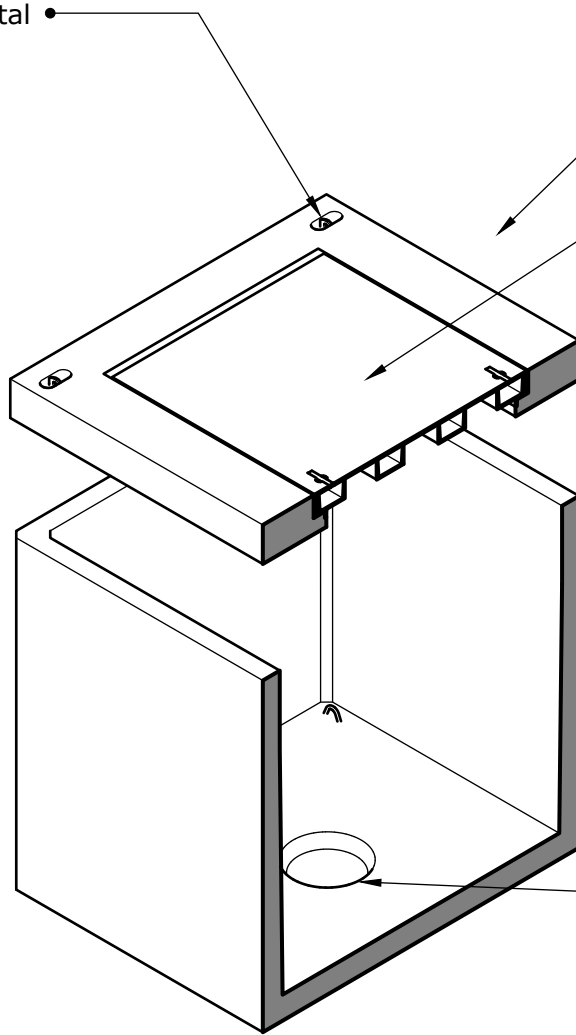


505 LA

SECTION AA

LIFT ANCHORS
(4) Total



505-LA LID
900 LBS

HATCH
UEZS 33 9/16 X 33 9/16
Alum cover. Steel frame.

505-LA BASE
3,850 LBS

12" SUMP

Notes:

- * Strut channel optional.
- * Duct terminators optional.
- * Hole coring available.
- * Knockout optional

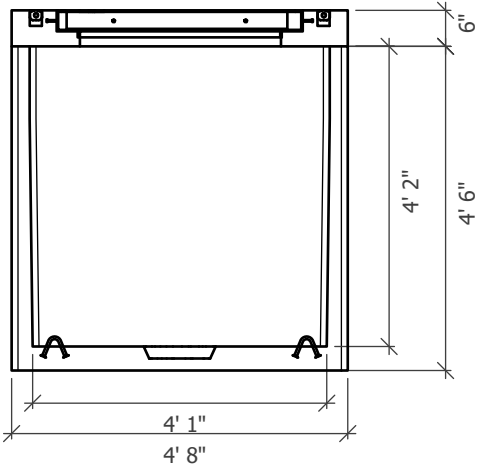
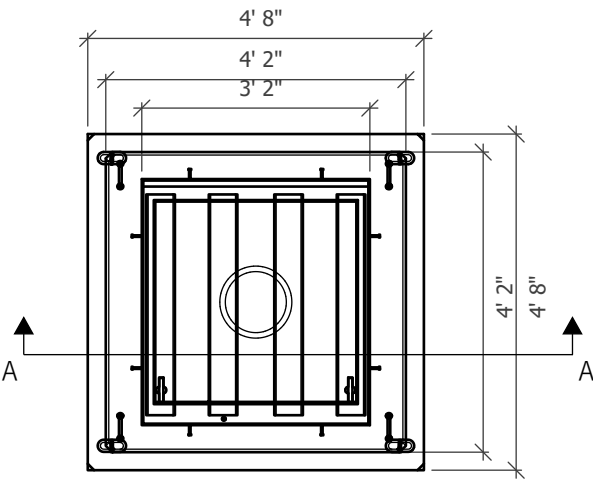


505 LA

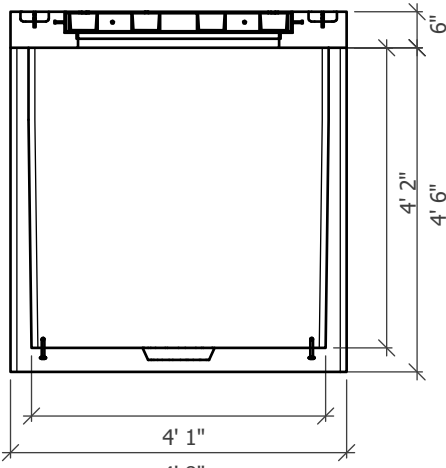
541-923-3272
1111 NE 11TH ST.
REDMOND, OR
97756

505 LA

PLAN VIEW



SIDE VIEW



END VIEW



505 LA

541-923-3272
1111 NE 11TH ST.
REDMOND, OR
97756