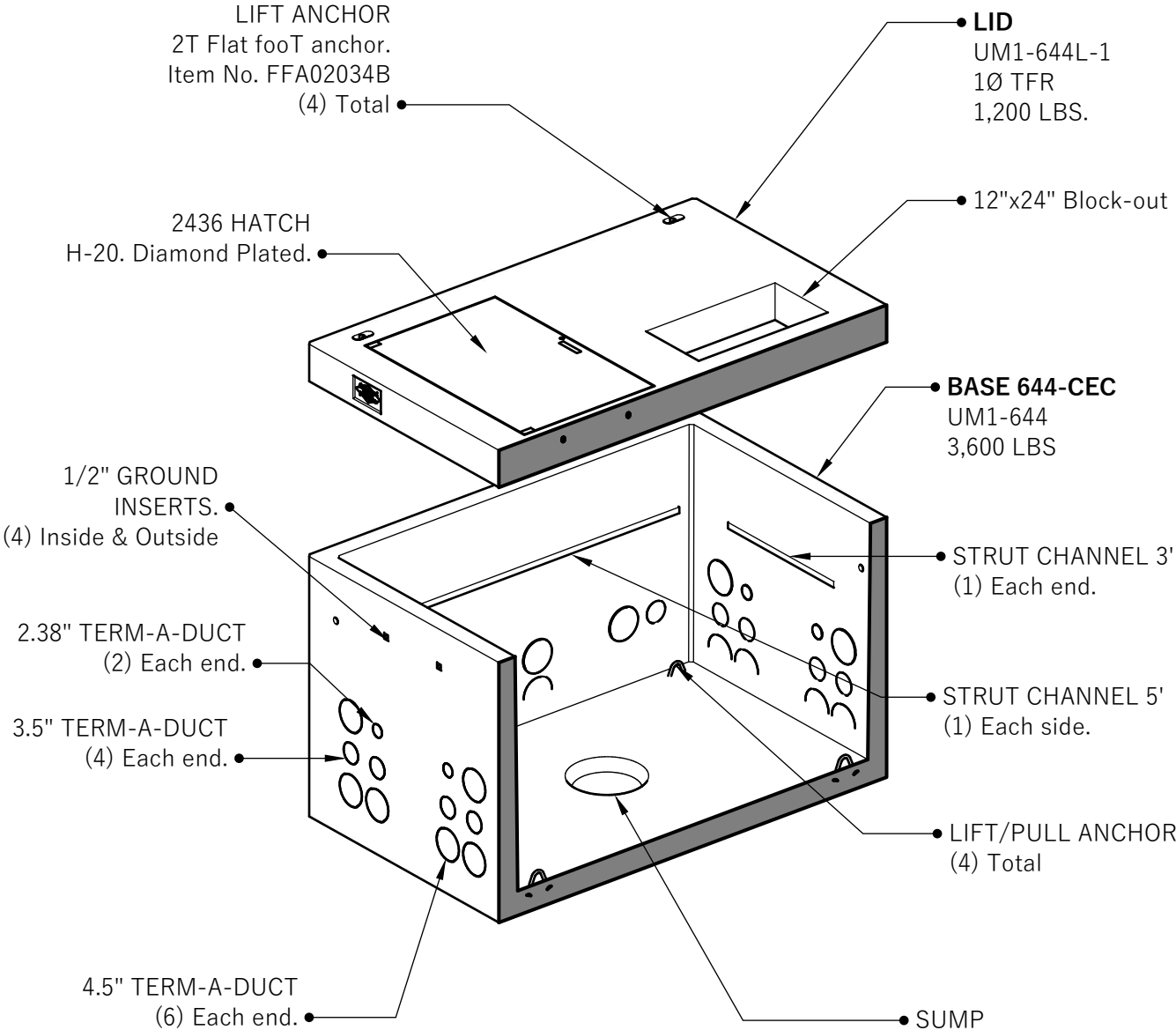


# UM1-644L-1

## SECTION AA



Customer:
Project:
Product: UM1-644L-1

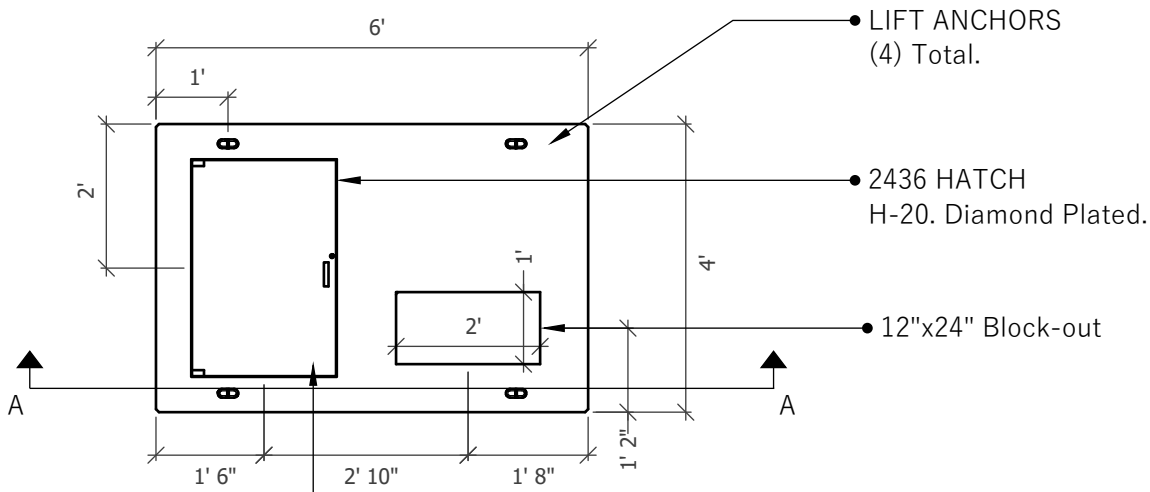


**UM1-644L-1**

541-923-3272  
 1111 NE 11TH ST.  
 REDMOND, OR  
 97756

# UM1-644L-1

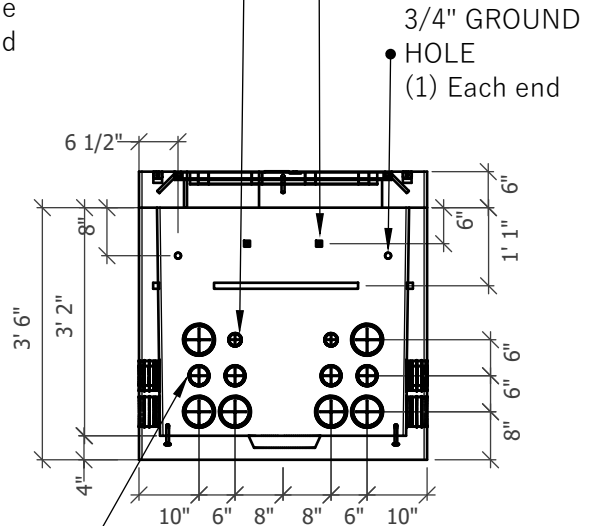
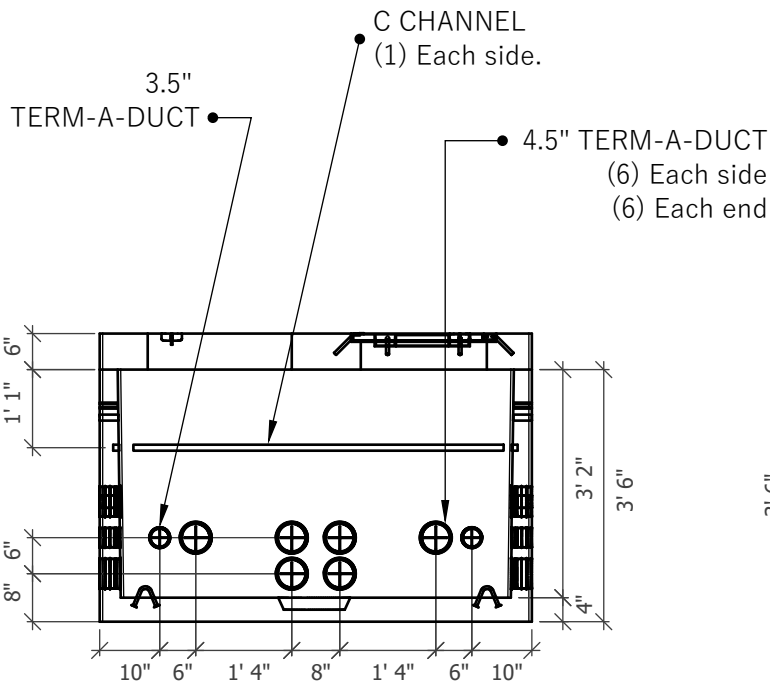
## PLAN VIEW



2436 HATCH  
H-20.  
Diamond Plated.

2.38" TERM-A-DUCT  
(2) Each end.

1/2" GROUND  
INSERT  
(2) Each end  
Inside & out.



3.5" TERM-A-DUCT  
(4) Each end.

3/4" GROUND  
HOLE  
(1) Each end

## SIDE VIEW

## END VIEW



# UM1-644L-1

541-923-3272  
1111 NE 11TH ST.  
REDMOND, OR  
97756