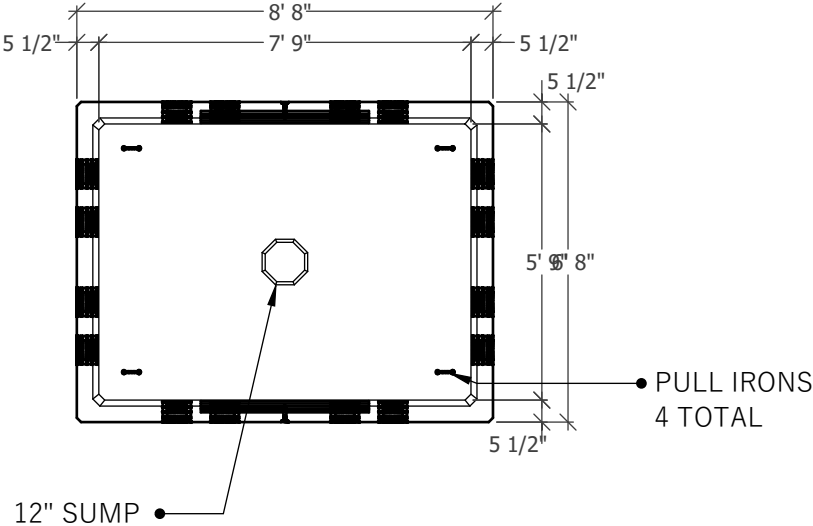


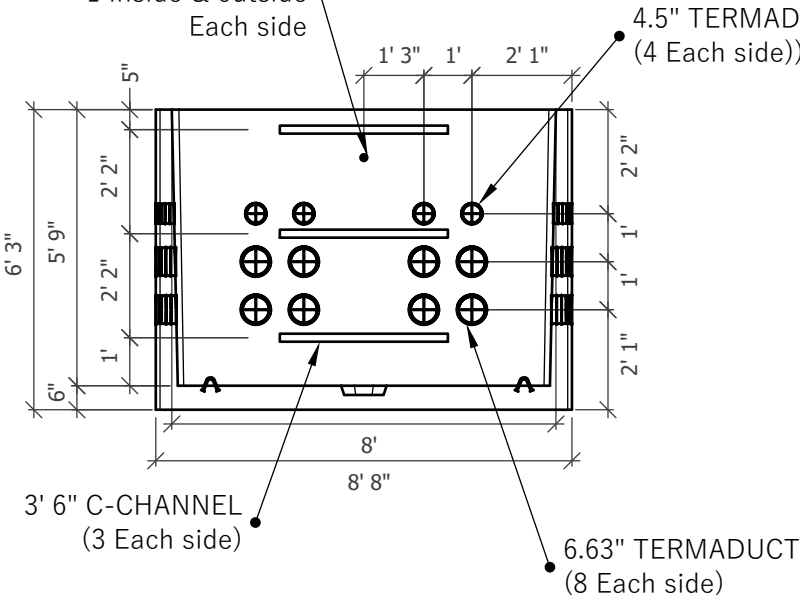
# 687-2 CEC BASE

## PLAN VIEW



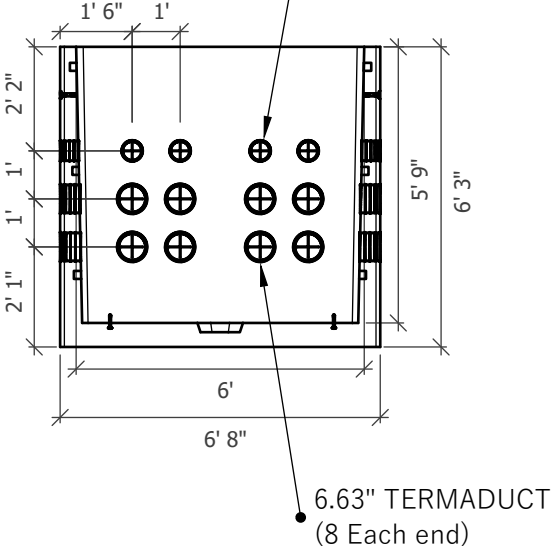
BASE WEIGHT: 13,700 LBS

1/2" GROUND INSERT  
1 Inside & outside  
Each side



## SIDE VIEW

4.5" TERMADUCT  
(4 Each end)



## END VIEW

PROFILE	 <p>541-923-3272 1111 NE 11TH ST. REDMOND, OR 97756</p>	Date Modified: January 9, 2023	2
		Plan Sheet:	
Customer:	Project:	Product: 687-2 CEC BASE	