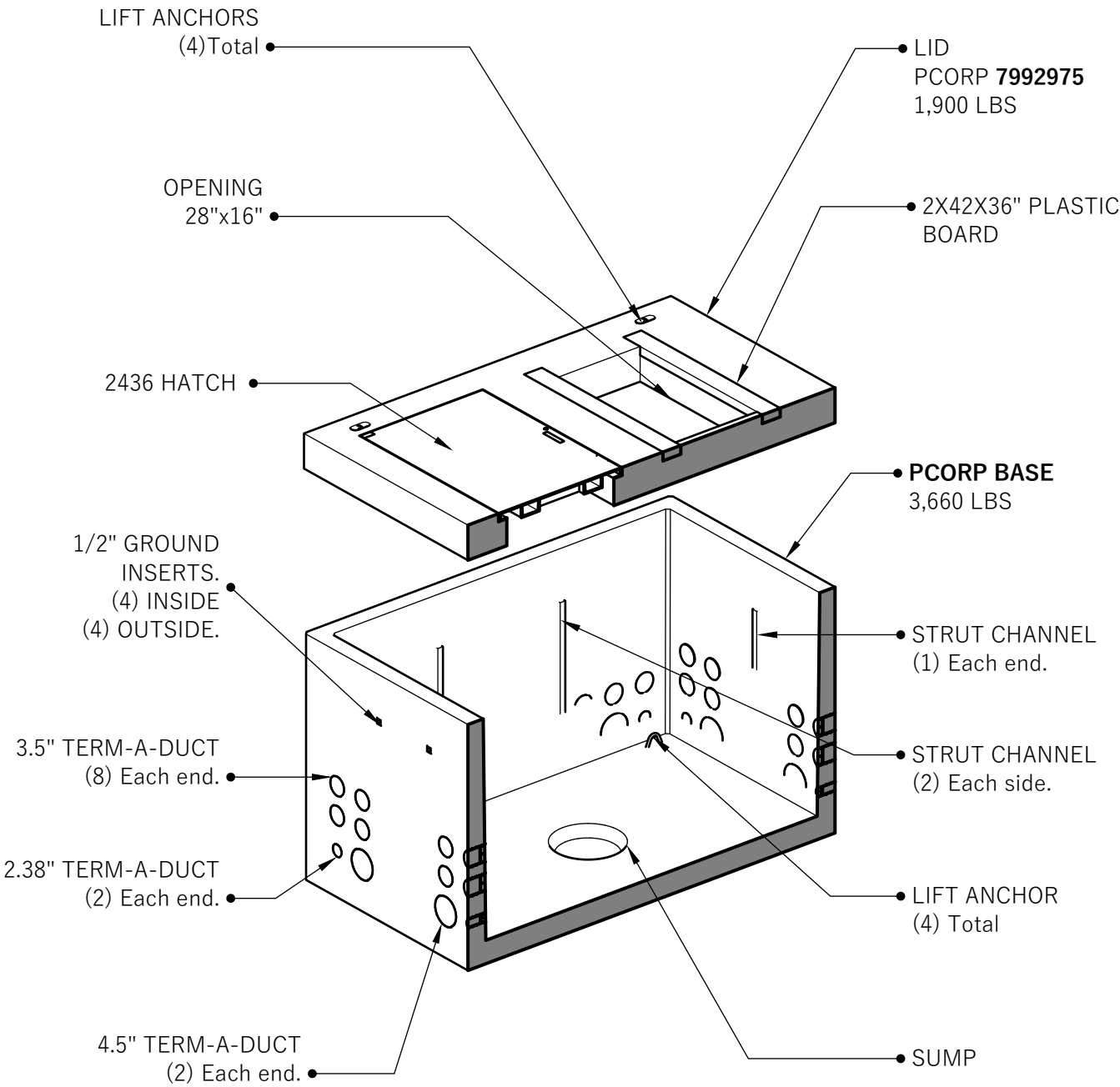


644-Pcorp -7992975

SECTION AA



Customer:
Project:
Product: 644-Pcorp -7992975



**644-Pcorp -
7992975**

541-923-3272
1111 NE 11TH ST.
REDMOND, OR
97756

