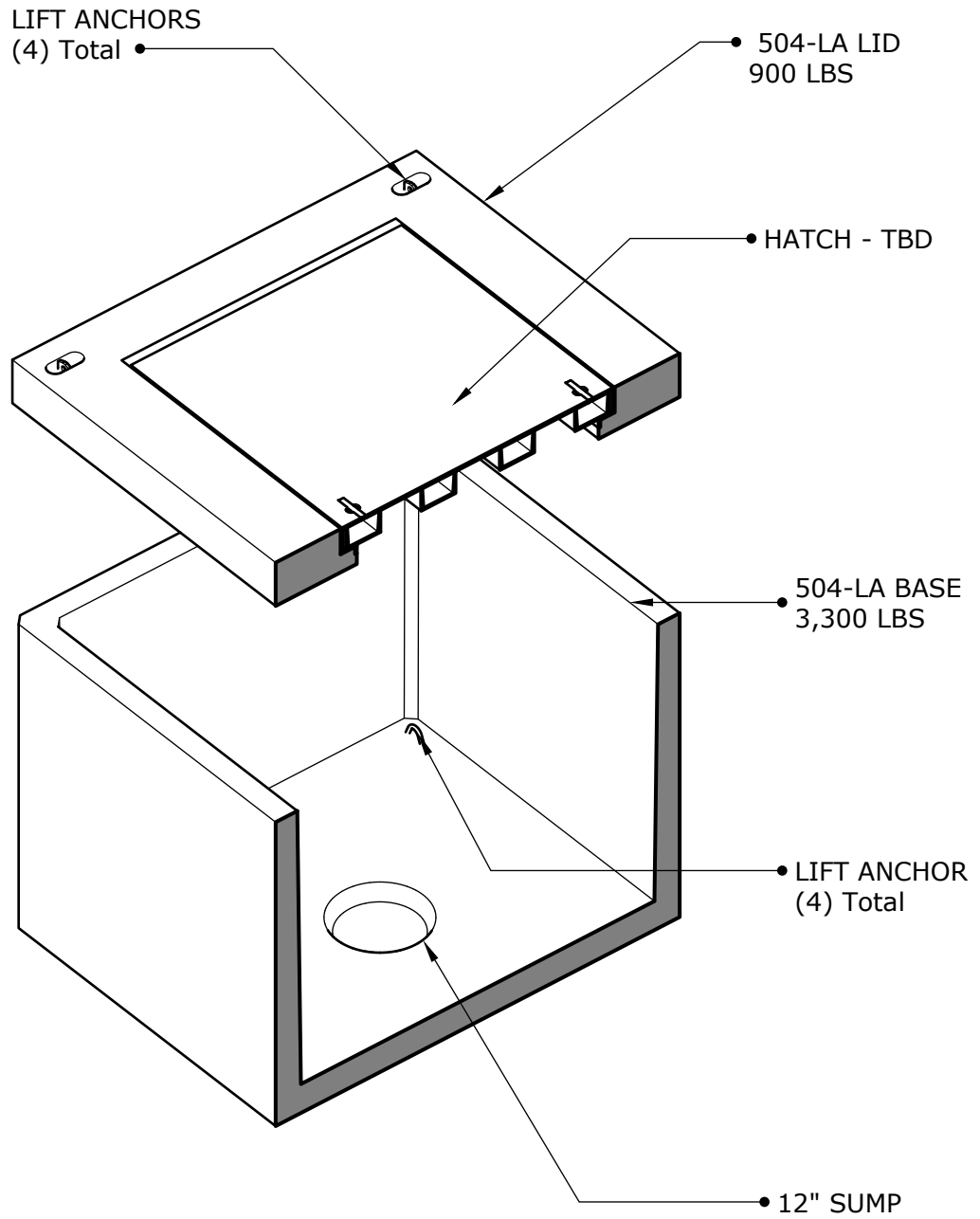


504 LA

SECTION AA



Customer:

Project:

Product:

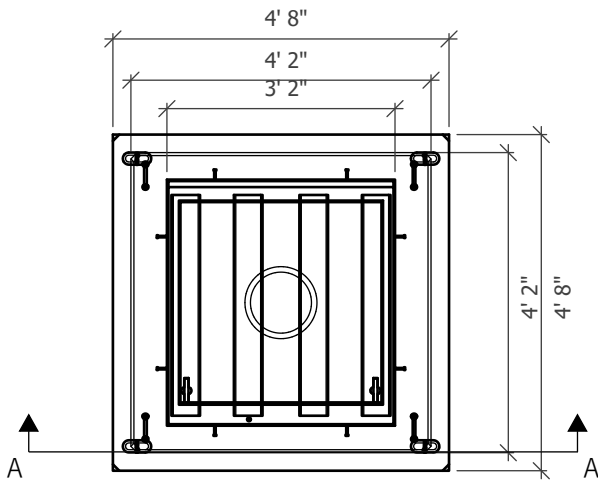


504 LA

541-923-3272
1111 NE 11TH ST.
REDMOND, OR
97756

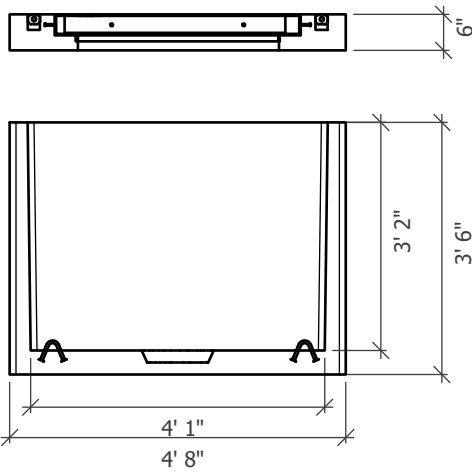
504 LA

PLAN VIEW

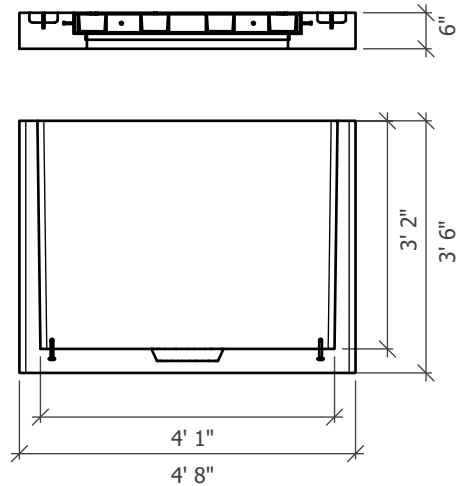


Notes:

- * Strut channel optional.
- * Duct terminators optional.
- * Hole coring available.
- * Knockout optional



SIDE VIEW



END VIEW



504 LA

541-923-3272
1111 NE 11TH ST.
REDMOND, OR
97756