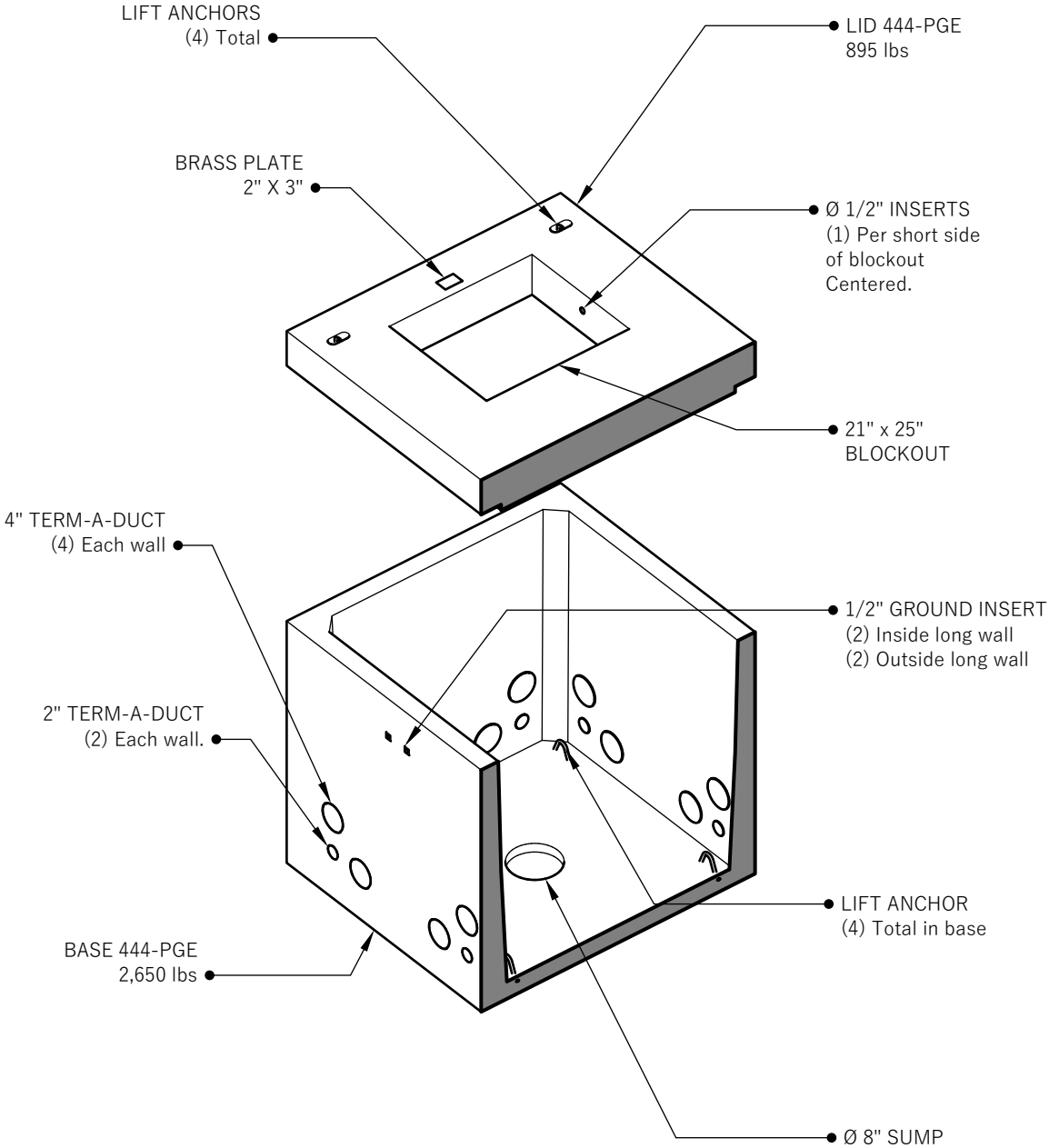


**444 - PGE**

**SECTION AA**

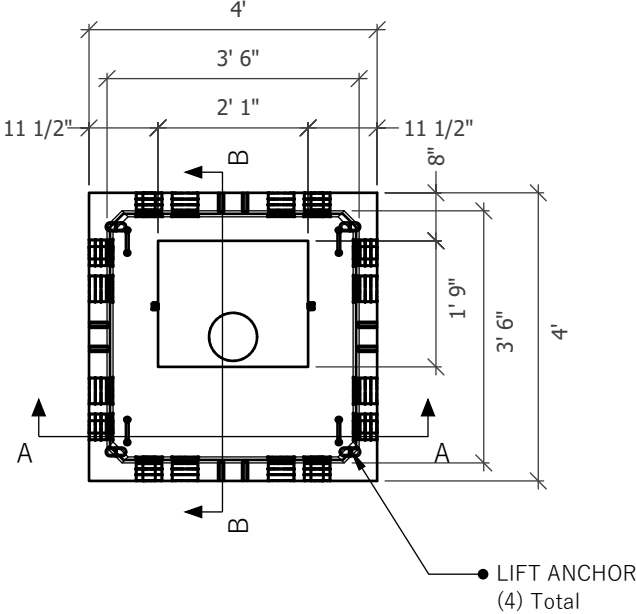


**444 - PGE**

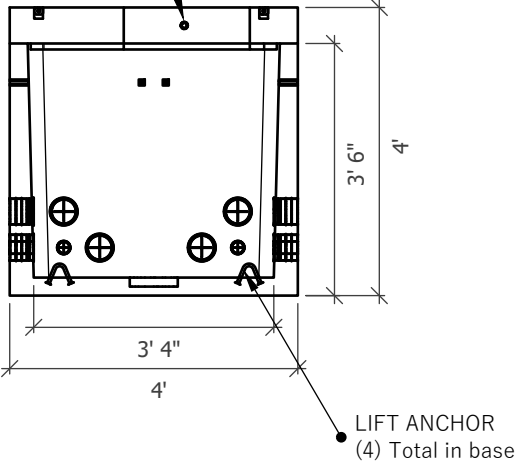
541-923-3272  
1111 NE 11TH ST.  
REDMOND, OR  
97756

**444 - PGE**

**PLAN VIEW**



Ø 1/2" INSERTS  
(1) Per short side  
of blockout  
Centered.

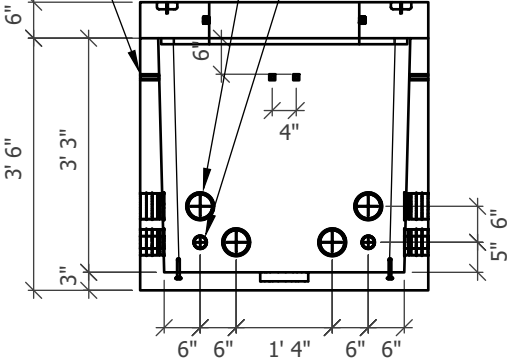


**SECTION BB**

4" TERM-A-DUCT  
(4) Each wall

2" TERM-A-DUCT  
(2) Each wall.

1/2" GROUND INSERT  
(2) Inside long wall  
(2) Outside long wall



**SECTION AA**

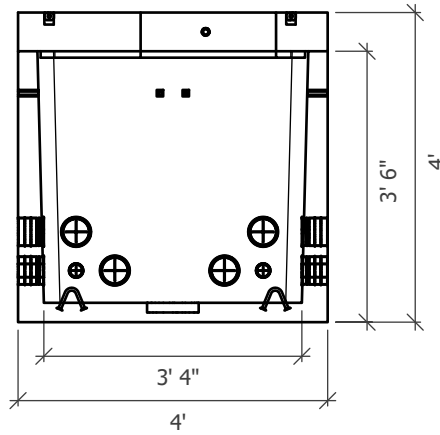


**444 - PGE**

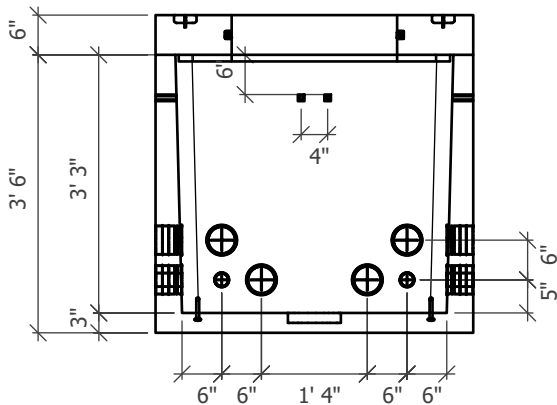
541-923-3272  
1111 NE 11TH ST.  
REDMOND, OR  
97756

**SIDE VIEW**

**444 - PGE**



**END VIEW**



**QUALITY CONTROL CHECKLIST**

QUALITY CONTROL CHECKLIST	
INSPECTOR NAME	DATE
<b>PRE-POUR</b>	
ITEM	INITIALS
Form Condition	
Form Cleanliness	
Design Width	
Design Length	
Design Height	
Form Release	
Blockouts	
Reinforcing Steel	
Termaduct Placement	
Lift Anchor Placement	
Top Finish	
Ground Insert Placement	
Concrete Sample Poured	
<b>POST-POUR</b>	
Mark Name/ Number	
Surface Texture	
Cracks or Spalls	
Exposed Reinforcement	
Lift Devices	
Blockouts	
Strut Channel	
Termaducts	
Ground Inserts	
Notes:	

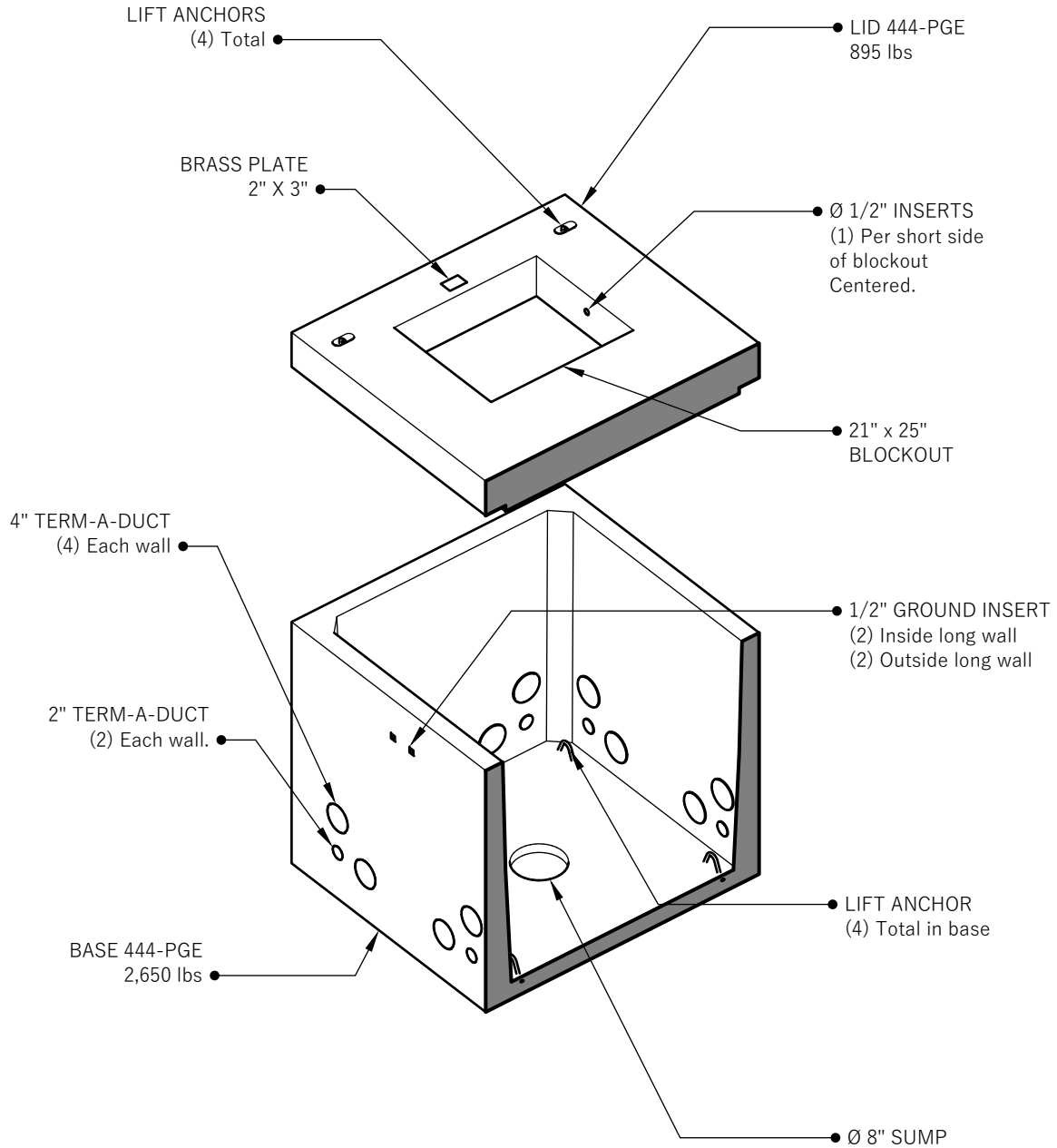


**444 - PGE**

541-923-3272  
 1111 NE 11TH ST.  
 REDMOND, OR  
 97756

# 444 - PGE

## SECTION AA



Customer:

Project:

Product: 444 - PGE



# 444 - PGE

541-923-3272  
1111 NE 11TH ST.  
REDMOND, OR  
97756